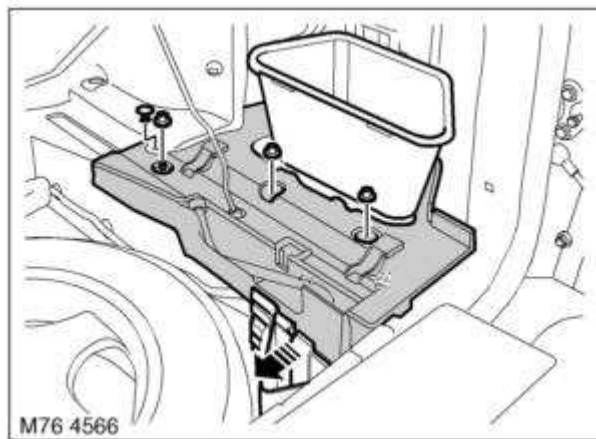


## 76.22.15 Bumper assembly - rear - from 03MY

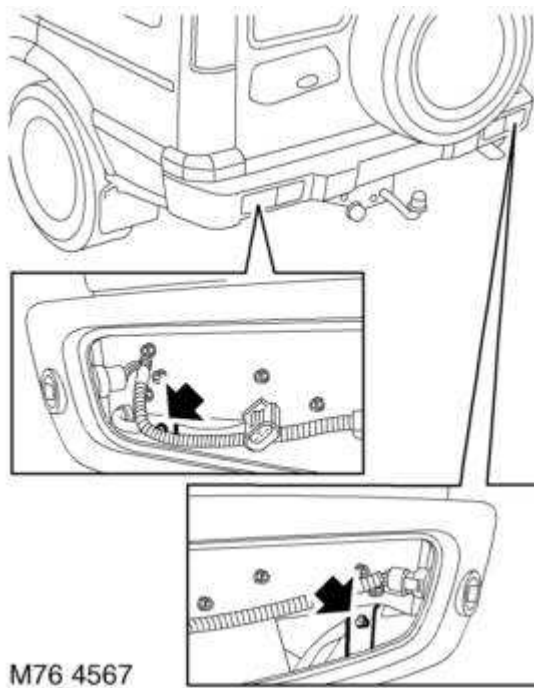
### Remove

1. Remove both rear tail lamps.

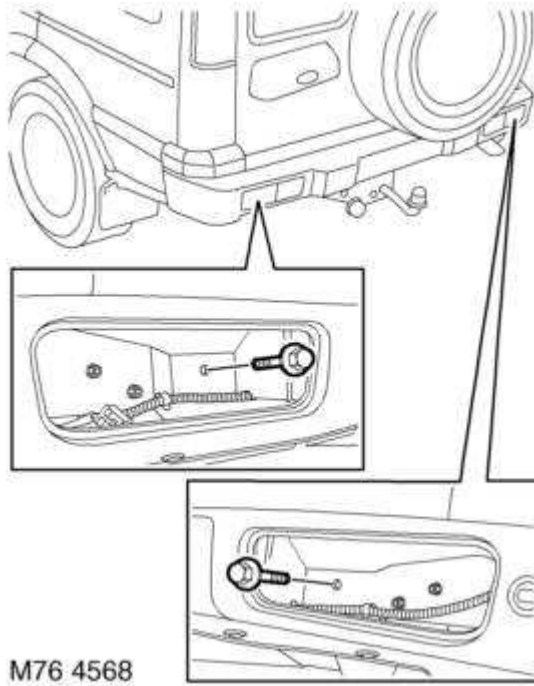
**\*\*\* 86.41.42 Lamp - tail flasher - bumper \*\*\***



2. Disconnect park distance control harness multiplug.



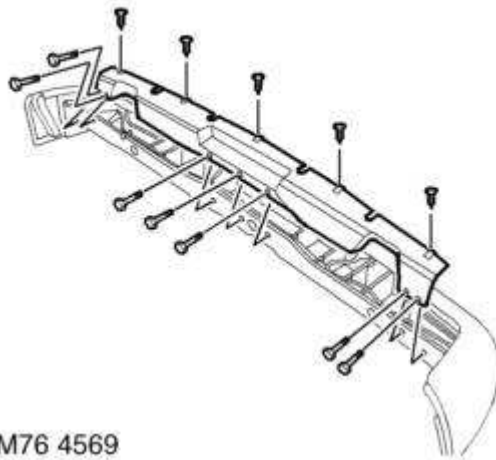
3. Release rear lamp harness clips.



M76 4568

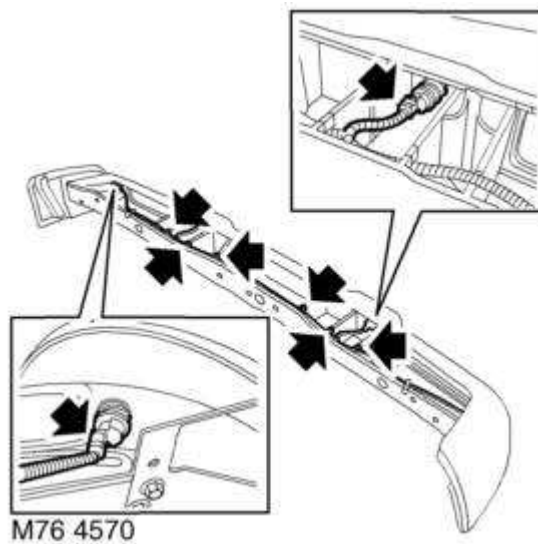
4. Remove 2 bolts securing bumper.
5. With assistance remove bumper.

**NOTE: Do not carry out further dismantling if component is removed for access only.**



M76 4569

6. Remove 7 bolts and 5 screws securing closing panel and remove panel.



7. Disconnect 4 park distance control sensor harness multiplugs and remove 6 clips retaining harness.
8. Release 3 clips retaining harness and remove harness.
9. Noting their fitted positions, release and remove 4 park distance control sensors and sensor housings.

## Refit

1. Fit sensor housings to bumper, ensuring lugs on housings are aligned with cut-outs in bumper.
2. Fit and secure sensors to housings.
3. Fit harness, secure with clips and connect multiplugs
4. Fit closing panel and secure with bolts and screws.
5. With assistance, fit bumper assembly to body.
6. Fit bolts securing bumper and tighten to 45 Nm (33 lbf.ft).
7. Secure rear lamp harness clips and connect park distance control sensor harness multiplug.
8. Fit both rear tail lamps.

**\*\*\* 86.41.42 Lamp - tail flasher - bumper \*\*\***