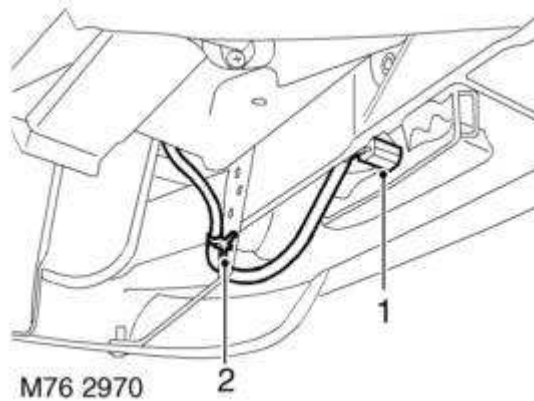


## 76.22.52 Bumper assembly - rear - up to 03MY

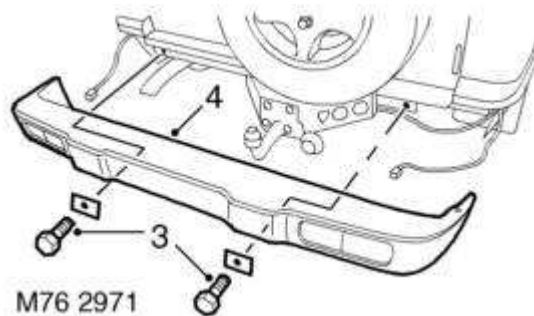
### Remove

1. Remove both rear tail lamps.

\*\*\* [86.41.42 Lamp - tail flasher - bumper](#) \*\*\*

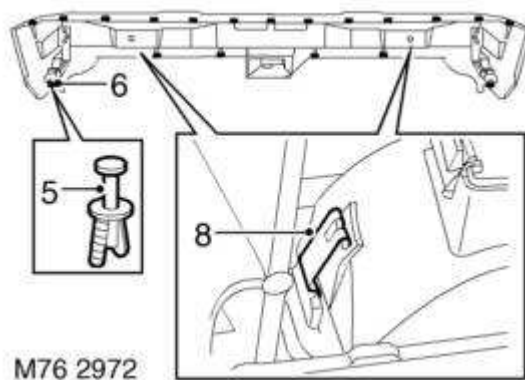


2. Release 2 clips securing rear lamp harnesses to rear bumper.



3. Remove 2 bolts securing rear bumper to chassis and collect 2 plates.
4. With assistance, remove bumper assembly.

**NOTE: Do not carry out further dismantling if component is removed for access only.**



5. Remove centres of 19 trim clips securing bumper armature to bumper valance.
6. Remove outers of trim clips.
7. Remove bumper armature from bumper valance.

8. Release clips and remove rear lamps from bumper valance.

## **Refit**

1. Fit rear lamps to bumper valance.
2. Fit armature to bumper valance and secure with trim clip outers.
3. Fit centres to trim clips.
4. With assistance, fit bumper assembly to body.
5. Position plates to rear bumper.
6. Fit and tighten bolts securing rear bumper to chassis to 45 Nm (33 lbf.ft).
7. Fit 2 clips securing rear lamp harnesses to rear bumper.
8. Connect multiplugs to rear lamps.