



**Model** DEFENDER 110 1987 onwards  
**Page** AFLXKA1A

**AIR CONDITIONING - CONDENSER - RHS/LHS**

**III. Part No. Description Qty Remarks**

**TDI CFC free**

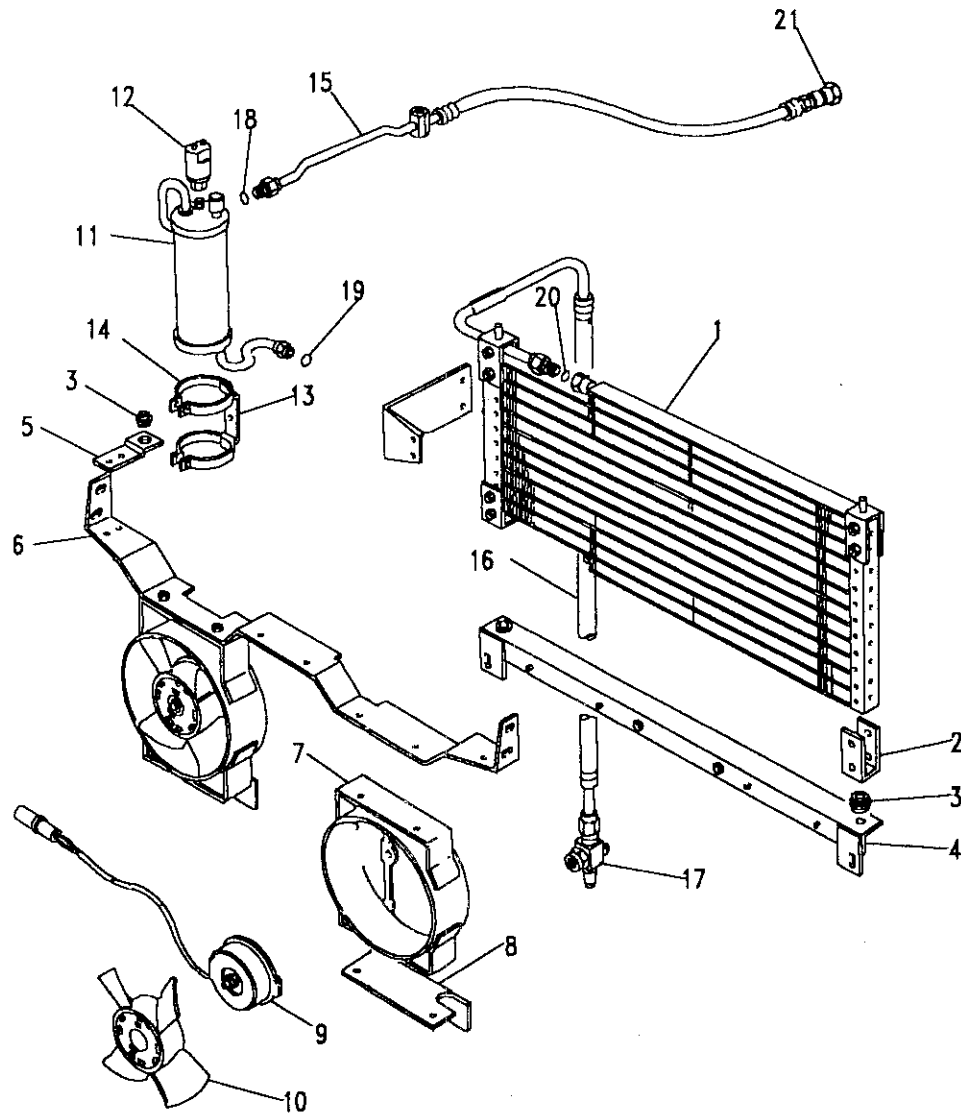
1 AWR2335 Condenser

**Petrol & None Turbo diesel CFC free**

AWR1178 Condenser 1

**Petrol & None Turbo diesel**

1	RTC7416	Condenser	1	
2	RTC7417	Bracket support	4	
3	RTC7418	Grommet	4	
4	RTC7419	Bracket mounting	1	Lower
5	RTC7420	Bracket pilot	2	
6	RTC7421	Bracket mounting	1	Upper
7	RTC7422	Shroud fan	2	
8	RTC7423	Bracket support	2	
9	RTC7424	Motor fan	2	
10	RTC7425	Fan blade	2	
11	RTC7426	Receiver drier	1	
12	AEU3068	Switch high pressure	1	
13	RTC7427	Bracket support	1	
14	RTC7428	Clamp	2	
15	RTC7429	Hose assembly	1	
16	RTC7430	Hose discharge	1	
17	AEU3067	Valve discharge	1	
18	AEU3056	O ring	1	
19	AEU1626	O ring	2	0.3125 dia
20	AEU1627	O ring	2	0.4060 dia
21	MTC8500	Coupling	1	



**Model** DEFENDER 110 1987 onwards  
**Page** AFLXMA1A

**AIR CONDITIONING - EVAPORATOR ASSEMBLY - RHS**

**III. Part No. Description Qty Remarks**

**Petrol & Non Turbo Diesel RHS (CFC free)**

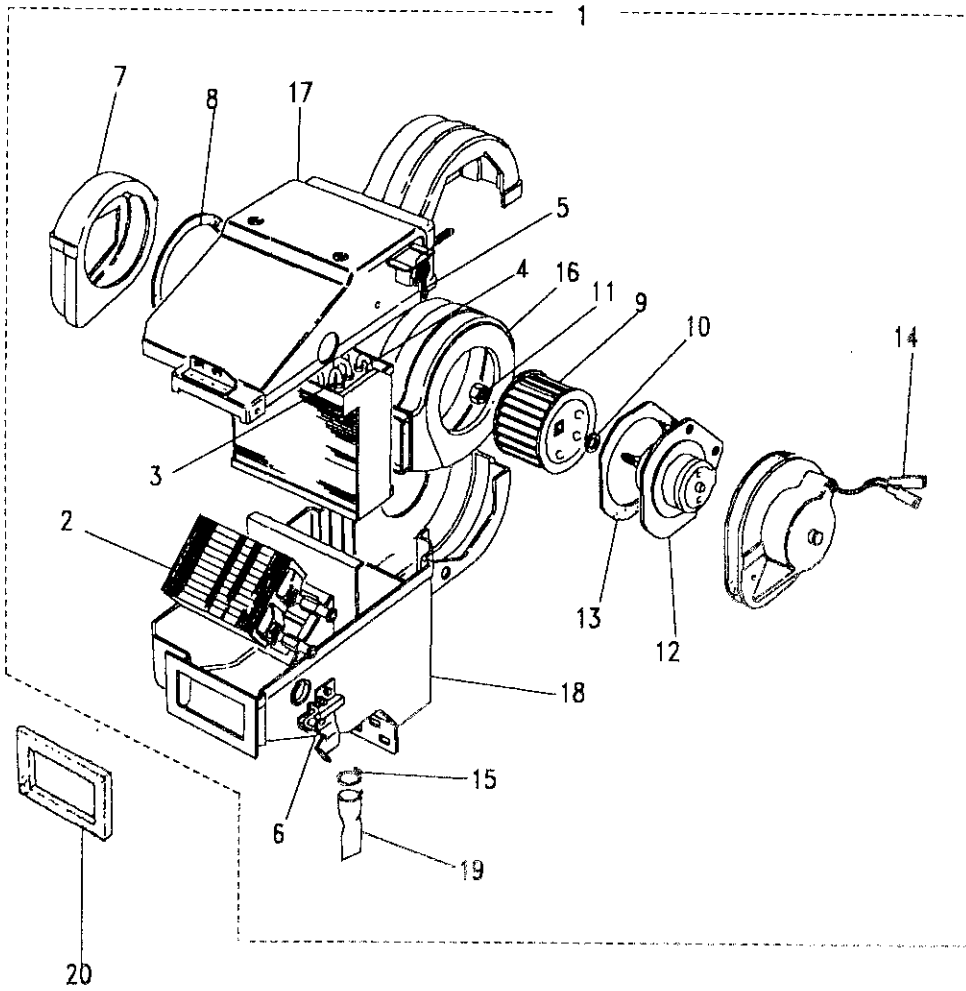
1 AWR1168 Evaporator 1

**TDI RHS (CFC free) 134a gas**

AWR1249 Evaporator 1

**All variants CFC R12gas**

1	MUC1663	Evaporator assembly	1
2	MUC6050	Core heater	1
3	MUC6037	Valve expansion	1
4	MUC6038	Tube extension	1
5	MUC6042	Thermostat	1
6	MUC4375	Switch vacuum	1
7	MUC1682	Adaptor	1
8	MUC6040	Seal	1
9	MUC6053	Wheel blower motor	1
10	MUC6054	Spacer	1
11	MUC6055	Lock nut	1
12	MUC1675	Motor blower	1
13	MUC6052	Seal	1
14	MUC6056	Harness blower	1
15	RTC7470	Clamp	1
16	STC760	Housing blower motor	1
17	STC761	Cover top evaporator	1
18	STC762	Cover rotor evaporator	1
19	STC948	Evaporator tube	1
20	MUC4860	Seal	1





MASTER INDEX

GROUP L

	PAGES
INTRODUCTION PAGES	1 - 7
ALPHABETICAL INDEX	8 - 16
ENGINE	17 - 66
ENGINE	67 - 119
ENGINE	120 - 166
ENGINE	167 - 209
ENGINE	210 - 245
ENGINE	246 - 299
GEARBOX	300 - 326
GEARBOX	327 - 344
GEARBOX	345 - 359
TRANSFER BOX	360 - 378
TRANSFER BOX	379 - 397
AXLES AND SUSPENSION	398 - 444
STEERING	445 - 471
VEHICLE AND ENGINE CONTROLS	472 - 486
BRAKES	487 - 517
FUEL SYSTEM AND AIR CLEANER	518 - 579
EXHAUST SYSTEM	580 - 593
COOLING/HEATING	594 - 637
COOLING/HEATING	638 - 641
COOLING/HEATING	642 - 649
COOLING/HEATING	650 - 655
COOLING/HEATING	656 - 666
BODY ELECTRICAL	667 - 740
BODY AND CHASSIS	741 - 909
INTERIOR TRIM	910 - 955
SEATS	956 - 1036
STOWAGE	1037 - 1046
ACCESSORIES - PAINTS	1047 - 1074
NUMERICAL INDEX	1076 - 1151

COOLING/HEATING

COOLING/HEATING

HEATER/COOLER ASSEMBLY - LHS

640 - 646





DEFENDER 110 1987 onwards

639

COOLING/HEATING

GROUP L

COOLING/HEATING

COOLING/HEATING

HEATER PIPES - 4 CYLINDER - LHS

652

HEATER PIPES - TDI - LHS

653

HEATER PIPES - V8 - RHS

654

HEATER PIPES - V8 - LHS

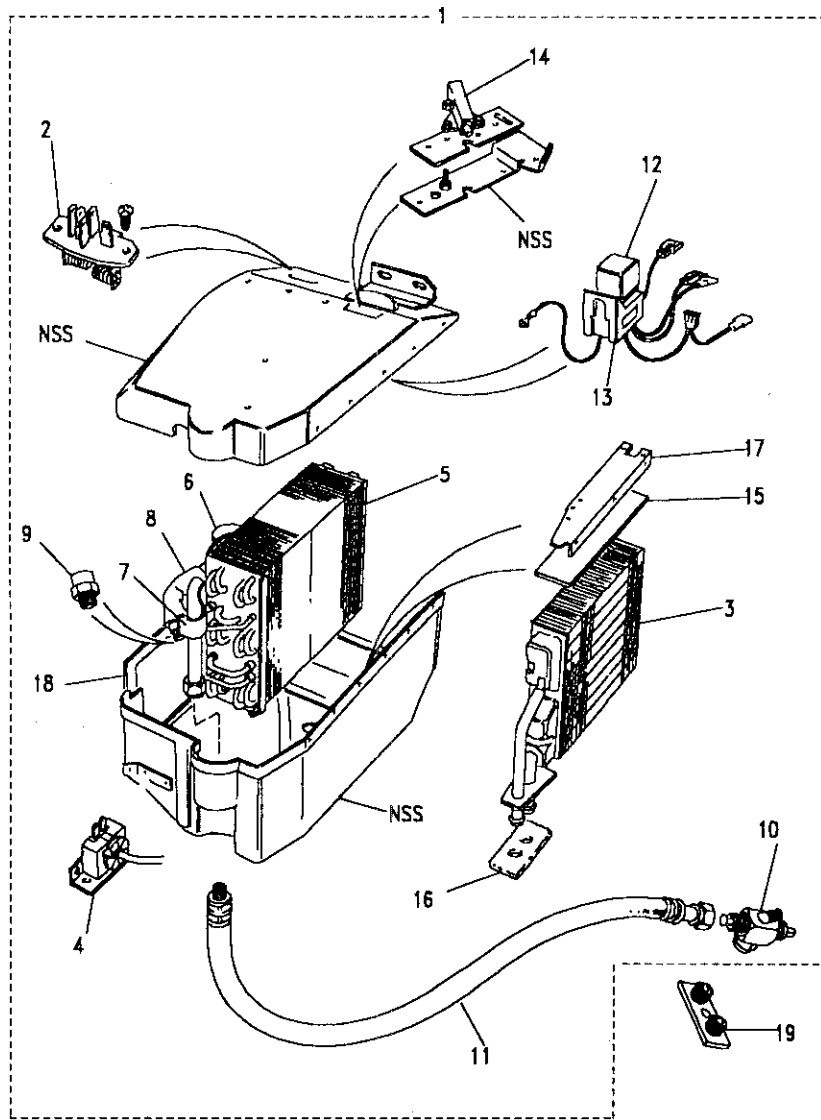
655



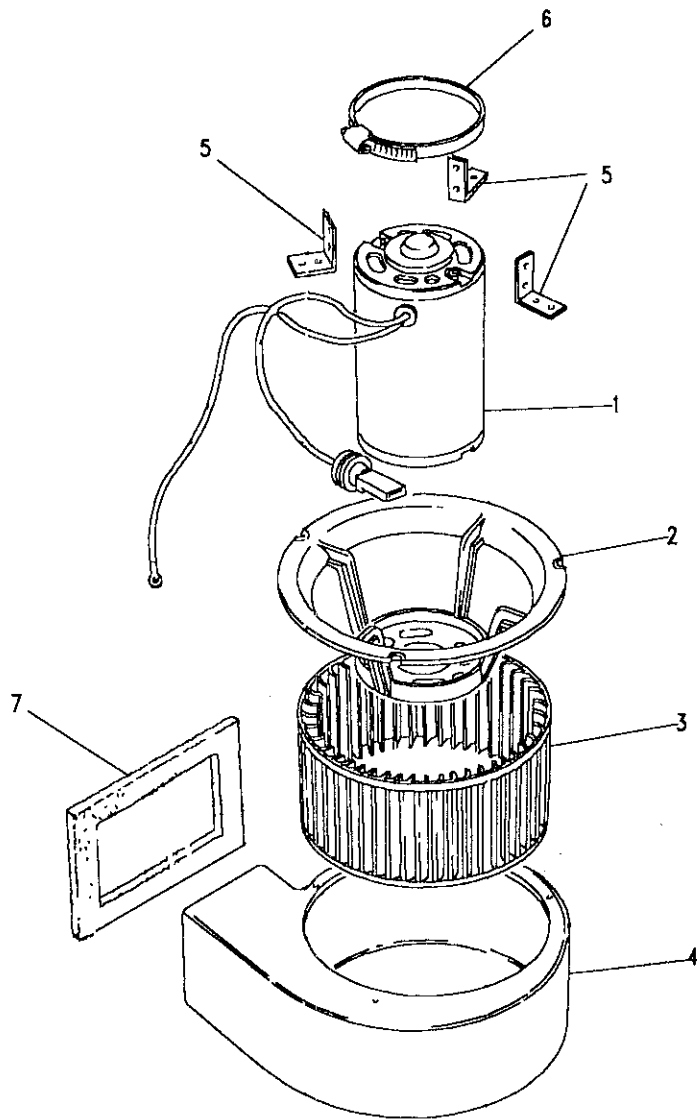
Model DEFENDER 110 1987 onwards

Page ADLXMA2A

AIR CONDITIONING - HEATER/COOLER ASSEMBLY - LHS



III. Part No.	Description	Qty	Remarks
1	RTC7588	1	Heater/Cooler Assembly
2	RTC7456	1	Resistor
3	RTC7433	1	Core heater
4	RTC7434	1	Thermostat
5	RTC7436	1	Evaporator
	AWR1177	1	Evaporator(cfc free)
	AWR1242	1	Evaporator(cfc free)
		1	TDI
6	AEU1213	1	Valve expansion
7	AEU1214	1	Clamp
8	RTC7458	1	Pipe assembly
9	RTC7457	1	Coupling
10	AEU3055	1	Valve service
11	RTC7439	1	Hose assembly
12	RTC7454	1	Relay
13	RTC7455	1	Harness blower
14	RTC7414	1	Switch vacuum
15	RTC7471	2	Seal
16	RTC7472	1	Seal
17	RTC7473	1	Cover
18	RTC7453	1	Seal-to duct
19	MUC4358	1	Adaptor R4 comp/rotolock
	RTC7452	2	Ring rotolock
	MUC1661	1	Seal-to dash



Model DEFENDER 110 1987 onwards

Page ADLXMA3A

AIR CONDITIONING - HEATER/COOLER ASSEMBLY - LHS

Ill. Part No.	Description	Qty	Remarks
1	RTC7440	1	Motor blower
2	RTC7468	1	Mounting motor
3	RTC7441	1	Wheel blower motor
4	RTC7442	1	Housing blower motor
5	RTC7469	3	Bracket support
6	RTC7470	1	Clamp
7	RTC7446	1	Seal-bulkhead
	RTC7474	1	Seal-firewall
2	MUC6050	1	Core heater
3	MUC6037	1	Valve expansion
4	MUC6038	1	Tube extension
5	MUC6042	1	Thermostat
6	MUC4375	1	Switch vacuum
7	MUC1682	1	Adaptor
8	MUC6040	1	Seal
9	MUC6053	1	Wheel blower motor
10	MUC6054	1	Spacer
11	MUC6055	1	Lock nut
12	MUC1675	1	Motor blower
13	MUC6052	1	Seal
14	MUC6056	1	Harness blower
15	RTC7470	1	Clamp
16	STC760	1	Housing blower motor
17	STC761	1	Cover top evaporator
18	STC762	1	Cover rotor evaporator
19	STC948	1	Evaporator tube
20	MUC4860	1	Seal



## MASTER INDEX

	PAGES
INTRODUCTION PAGES	1 - 7
ALPHABETICAL INDEX	8 - 16
ENGINE	17 - 66
ENGINE	67 - 119
ENGINE	120 - 166
ENGINE	167 - 209
ENGINE	210 - 245
ENGINE	246 - 299
GEARBOX	300 - 326
GEARBOX	327 - 344
GEARBOX	345 - 359
TRANSFER BOX	360 - 378
TRANSFER BOX	379 - 397
AXLES AND SUSPENSION	398 - 444
STEERING	445 - 471
VEHICLE AND ENGINE CONTROLS	472 - 486
BRAKES	487 - 517
FUEL SYSTEM AND AIR CLEANER	518 - 579
EXHAUST SYSTEM	580 - 593
COOLING/HEATING	594 - 637
COOLING/HEATING	638 - 641
COOLING/HEATING	642 - 649
COOLING/HEATING	650 - 655
COOLING/HEATING	656 - 666
BODY ELECTRICAL	667 - 740
BODY AND CHASSIS	741 - 909
INTERIOR TRIM	910 - 955
SEATS	956 - 1036
STOWAGE	1037 - 1046
ACCESSORIES - PAINTS	1047 - 1074
NUMERICAL INDEX	1076 - 1151

## GROUP L

## COOLING/HEATING

COOLING/HEATING	
RADIATOR	596 - 598
RADIATOR, INTERCOOLER & OIL COOLER - 300TDI	599 - 602
FAN COWL	603 - 604
RADIATOR HOSES	605 - 606
RADIATOR & INTERCOOLER HOSES - 200TDI	607
RADIATOR HOSES - V8	608 - 609
OIL COOLER AND MOUNTING FRAME	610 - 611
COOLER AND FRAME - V8 LT77 GEARBOX	612
PIPES - NOTE(1)	613
PIPES	614
PIPES - V8 - UPTO VIN FA429127	615 - 616
PIPES - V8 - FROM VIN FA429128	617
PIPES - V8 LT77 GEARBOX	618
EXPANSION TANK	619 - 622
HEATER	623 - 625
HEATER COMPONENTS	626
HEATER CONTROLS	627 - 628
DEMISTERS AND OUTLET FLAPS	629
HEATER PIPES - 4 CYL PETROL 630 DIESEL	630
HEATER PIPES - 4 CYL PETROL 631 DIESEL	631
HEATER PIPES - V8	632
HEATER PIPES - 200TDI	633 - 634
HEATER PIPES - 300TDI	635
CONDENSER - RHS/LHS	636
EVAPORATOR ASSEMBLY - RHS	637





DEFENDER 110 1987 onwards

643

COOLING/HEATING

GROUP L

COOLING/HEATING

GROUP L

COOLING/HEATING

COOLING/HEATING

FLUID SYSTEM - RHS

VACUUM PIPES & RESERVOIR - RHS/LHS

HEATER PIPES - 4 CYLINDER - RHS

647

648

649

COOLING/HEATING

FRESH AIR DUCT - RHS

PLENUM 659 DEFROSTERS - RHS

FACIA PANEL ASSEMBLY - RHS

FRESH AIR DUCT - LHS

AIR DUCT INSULATION - LHS

HEATER CONTROLS - LHS

PLENUM CHAMBER - LHS

FACIA PANEL - LHS

DEMISTER AND FLAPS

658

659

660

661

662

663

664

665

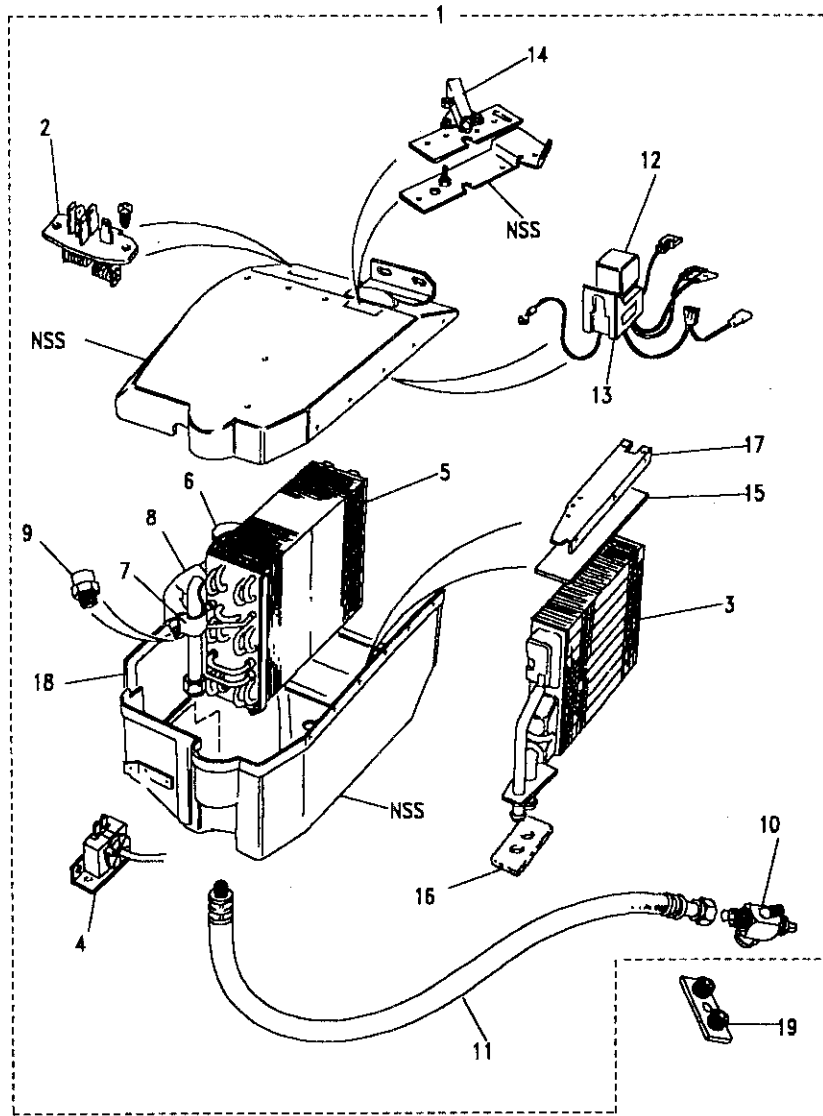
666

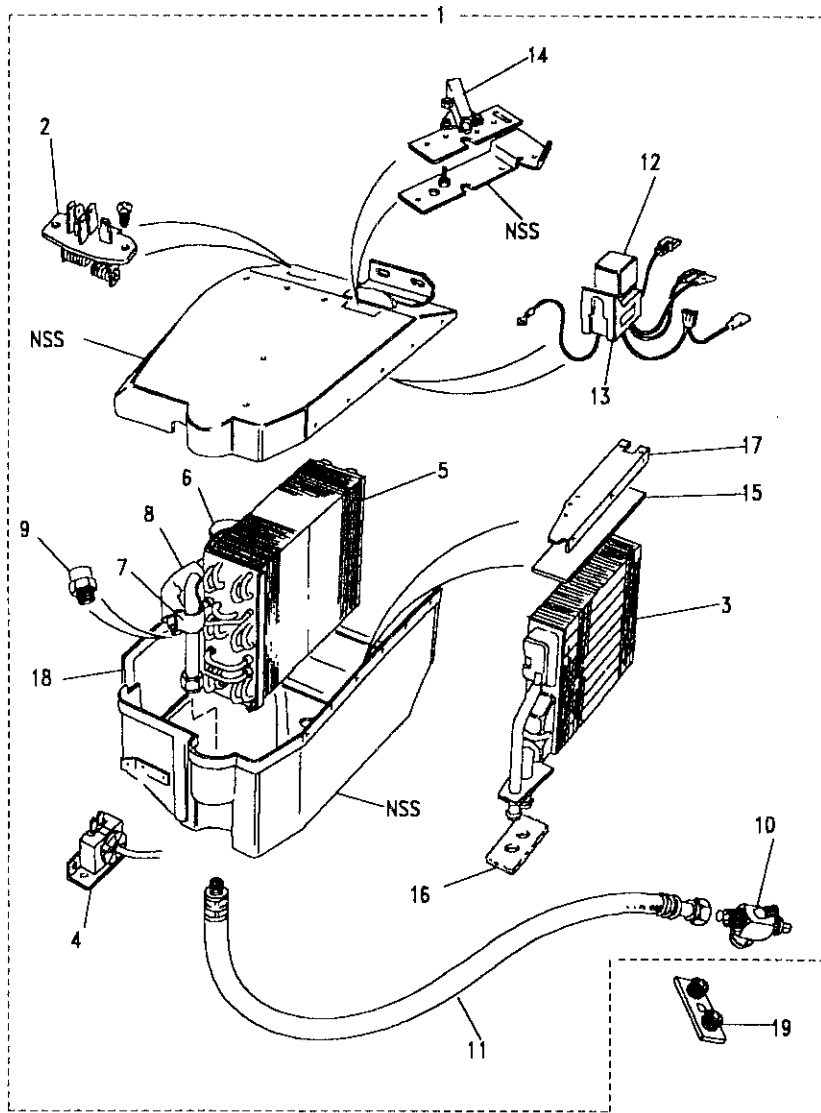


Model DEFENDER 110 1987 onwards  
 Page AFLXMA2A

**AIR CONDITIONING - HEATER/COOLER ASSEMBLY - LHS**

III. Part No.	Description	Qty	Remarks
1	RTC7588	1	Heater/Cooler Assembly
2	RTC7456	1	Resistor
3	RTC7433	1	Core heater
4	RTC7434	1	Thermostat
5	RTC7436	1	Evaporator
6	AEU1213	1	Valve expansion
7	AEU1214	1	Clamp
8	RTC7458	1	Pipe assembly
9	RTC7457	1	Coupling
10	AEU3055	1	Valve service
11	RTC7439	1	Hose assembly
12	RTC7454	1	Relay
13	RTC7455	1	Harness blower





**Model** DEFENDER 110 1987 onwards  
**Page** AFLXMA2A

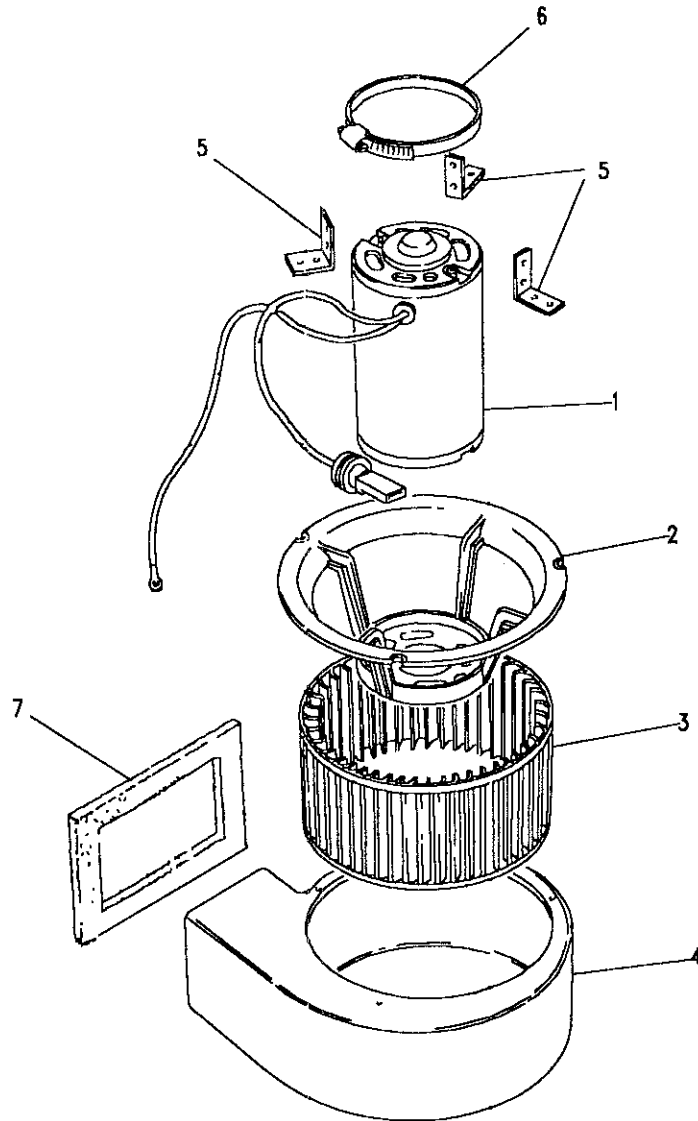
**AIR CONDITIONING - HEATER/COOLER ASSEMBLY - LHS**

III. Part No.	Description	Qty	Remarks
14 RTC7414	Switch vacuum	1	
15 RTC7471	Seal	2	
16 RTC7472	Seal	1	
17 RTC7473	Cover	1	
<b>Evaporator to duct</b>			
18 RTC7453	Seal	1	
19 MUC4358	Adaptor	1	-R4 comp/rotolock
RTC7452	Ring rotolock	2	
<b>Evaporator to dash</b>			
MUC1661	Seal	1	
AWR1173	Seal kit	1	



Model DEFENDER 110 1987 onwards  
Page AFLXMA3A

AIR CONDITIONING - HEATER/COOLER ASSEMBLY - LHS

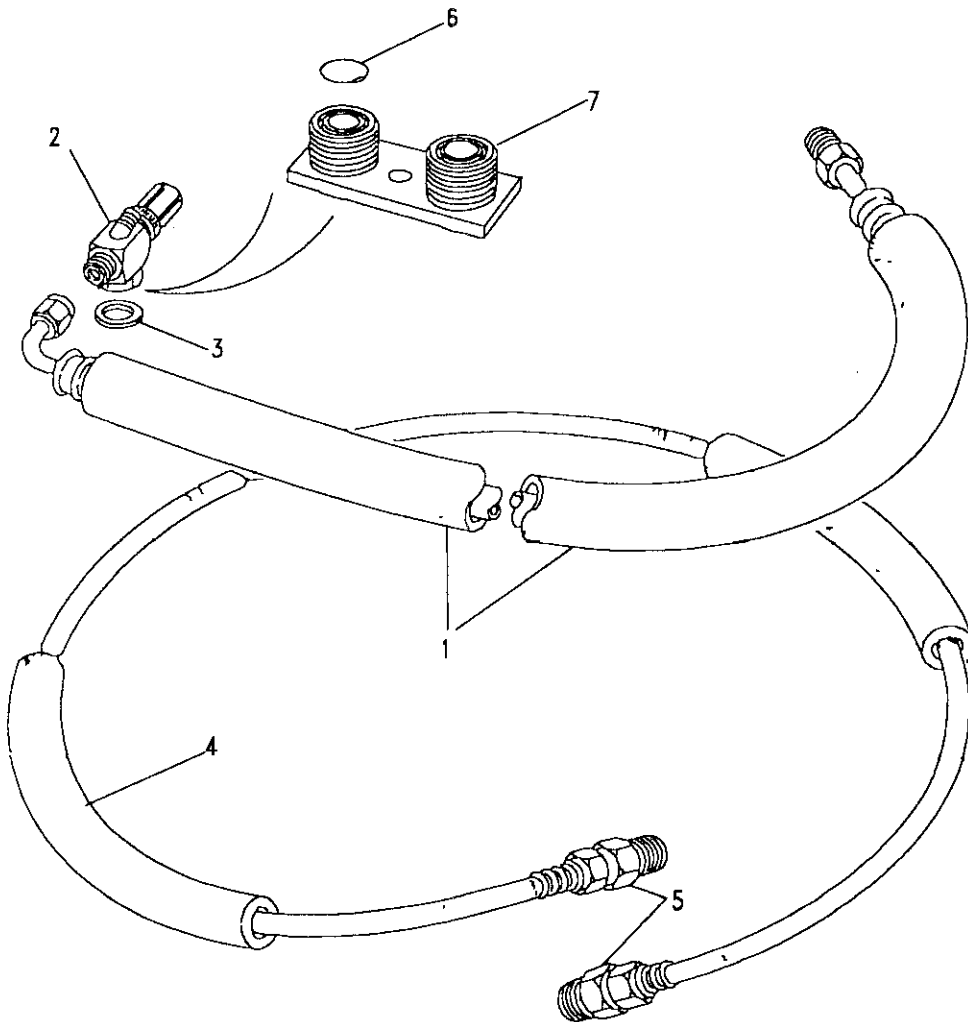


III. Part No.	Description	Qty	Remarks
1	RTC7440	1	Motor blower
2	RTC7468	1	Mounting motor
3	RTC7441	1	Wheel blower motor
4	RTC7442	1	Housing blower motor
5	RTC7469	3	Bracket support
6	RTC7470	1	Clamp
7	RTC7446	1	Seal bulkhead
	RTC7474	1	Seal firewall



Model DEFENDER 110 1987 onwards  
 Page AFLXPA1A

AIR CONDITIONING - FLUID SYSTEM - RHS



III. Part No.	Description	Qty	Remarks
1 MUC4875	Hose suction	1	
2 AEU3055	Valve service	1	
3 MUC4874	Seal	1	
4 MUC4872	Hose liquid	1	
5 RTC7457	Fitting aeroquip	2	
6 RTC7452	Ring rotolock	2	
7 MUC4358	Adaptor	1	R4 comp/rotolock
AEU1628	O ring	2	
AEU1626	O ring	1	
AEU1627	O ring	1	
AEU3056	O ring	3	

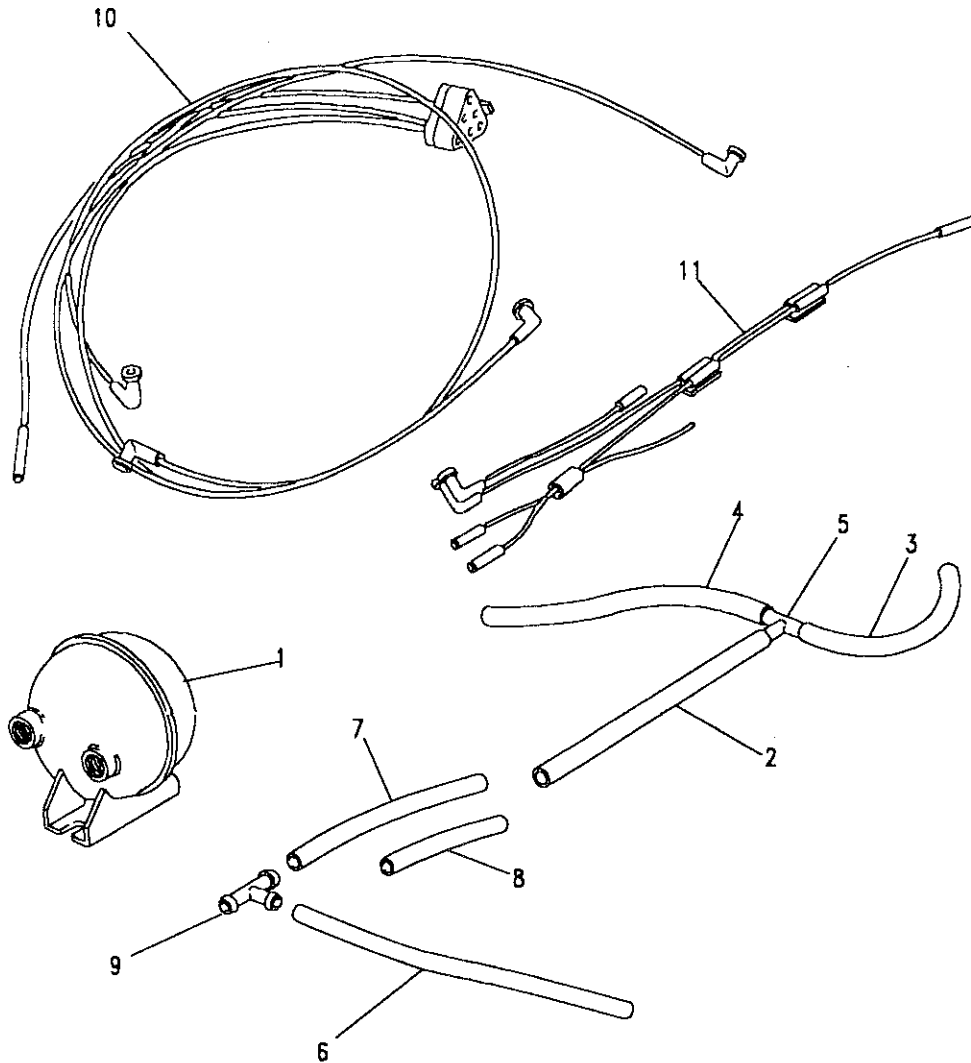


Model DEFENDER 110 1987 onwards  
Page AFLXPA2A

AIR CONDITIONING - VACUUM PIPES & RESERVOIR - RHS/LHS

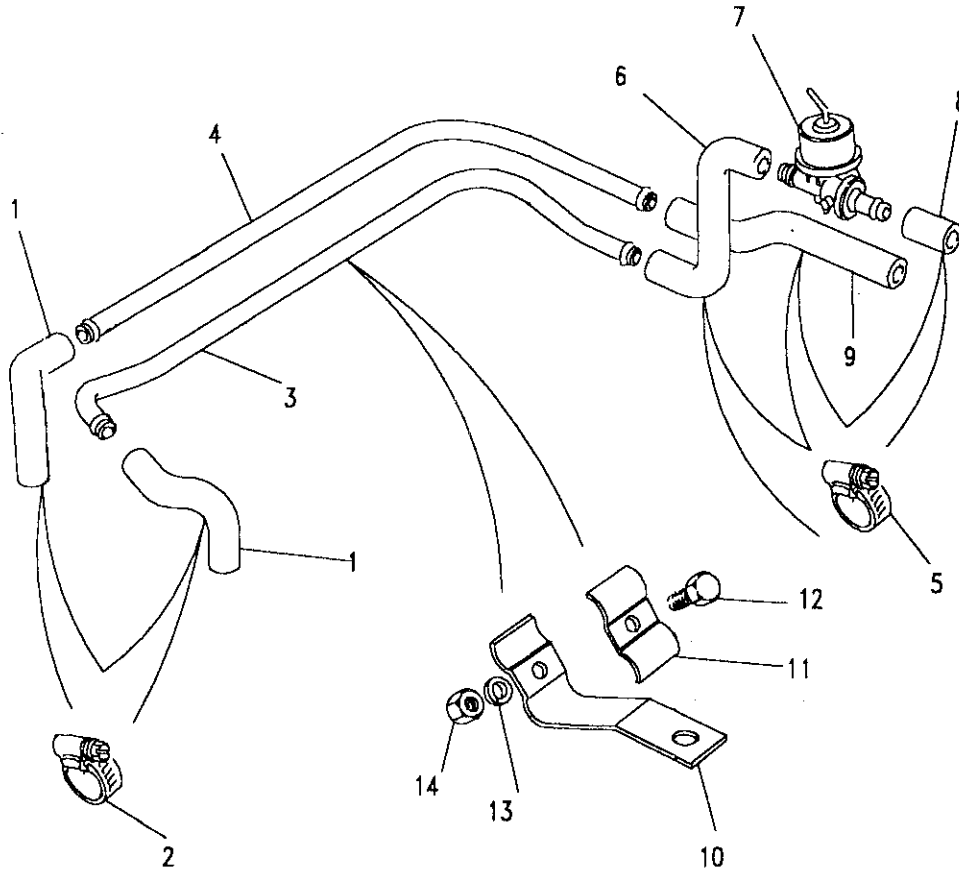
Ill. Part No.	Description	Qty	Remarks
1	MUC1679 Tank vacuum	1	
2	MUC4878 Hose vacuum	1	30" x 0.109375"
3	Hose vacuum	1	5" - Note(1)
4	Hose vacuum	1	20" - Note(1)
5	MUC4455 Tee piece	2	
6	MUC4866 Hose vacuum	1	10" x 0.21875
7	Hose vacuum	1	10" - Note(1)
8	Hose vacuum	1	1" - Note(1)
9	MUC4865 Tee piece	1	
10	MUC1671 Harness vacuum	1	
11	MUC4871 Harness vacuum	1	
ATU1041	Clamp hose	8	

Note(1) Use MUC4878 = 30" x 0.109375"



Model DEFENDER 110 1987 onwards  
 Page AFLXPC1A

AIR CONDITIONING - HEATER PIPES - 4 CYLINDER - RHS



III. Part No.	Description	Qty	Remarks
1	NRC6306	2	Hose heater
2	CN100308L	2	Clip hose
3	NRC6307	1	Pipe heater-feed
4	NRC6420	1	Pipe heater-return
5	CN100258L	8	Clip hose
6	BTR213	1	Hose engine to valve
	BTR9400	1	Hose engine to valve
7	NRC8346	1	Valve water control
8	ERC3964	1	Hose valve to heater
	BTR9401	1	Hose valve to heater
9	BTR214	1	Hose heater-return
	BTR9402	1	Hose heater return
10	NRC6417	1	Clip retaining
	NRC6418	1	Clip retaining
11	NRC6419	1	Clamp pipe
12	SH106251L	1	Screw
13	WL106001L	1	Washer spring
14	NH106041L	1	Nut
15	ESR3301	1	Strap retaining



## MASTER INDEX

## GROUP L

	PAGES
INTRODUCTION PAGES	1 - 7
ALPHABETICAL INDEX	8 - 16
ENGINE	17 - 66
ENGINE	67 - 119
ENGINE	120 - 166
ENGINE	167 - 209
ENGINE	210 - 245
ENGINE	246 - 299
GEARBOX	300 - 326
GEARBOX	327 - 344
GEARBOX	345 - 359
TRANSFER BOX	360 - 378
TRANSFER BOX	379 - 397
AXLES AND SUSPENSION	398 - 444
STEERING	445 - 471
VEHICLE AND ENGINE CONTROLS	472 - 486
BRAKES	487 - 517
FUEL SYSTEM AND AIR CLEANER	518 - 579
EXHAUST SYSTEM	580 - 593
COOLING/HEATING	594 - 637
COOLING/HEATING	638 - 641
COOLING/HEATING	642 - 649
COOLING/HEATING	650 - 655
COOLING/HEATING	656 - 666
BODY ELECTRICAL	667 - 740
BODY AND CHASSIS	741 - 909
INTERIOR TRIM	910 - 955
SEATS	956 - 1036
STOWAGE	1037 - 1046
ACCESSORIES - PAINTS	1047 - 1074
NUMERICAL INDEX	1076 - 1151

## COOLING/HEATING

## COOLING/HEATING

HEATER/COOLER ASSEMBLY - LHS

640 - 646





DEFENDER 110 1987 onwards

651

COOLING/HEATING

GROUP L

COOLING/HEATING

COOLING/HEATING

HEATER PIPES - 4 CYLINDER - LHS

652

HEATER PIPES - TDI - LHS

653

HEATER PIPES - V8 - RHS

654

HEATER PIPES - V8 - LHS

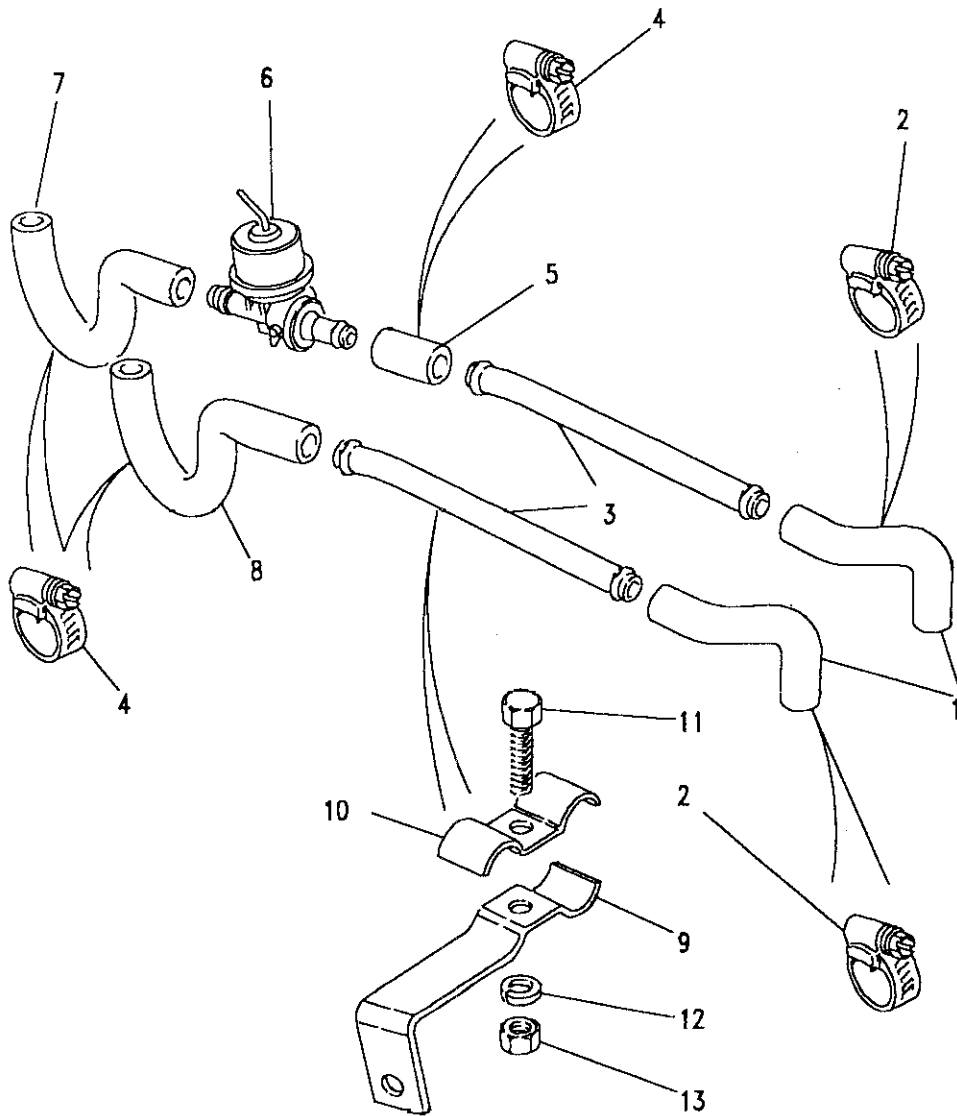
655



**Model** DEFENDER 110 1987 onwards  
**Page** ADLXPC2A

**AIR CONDITIONING - HEATER PIPES - 4 CYLINDER - LHS**

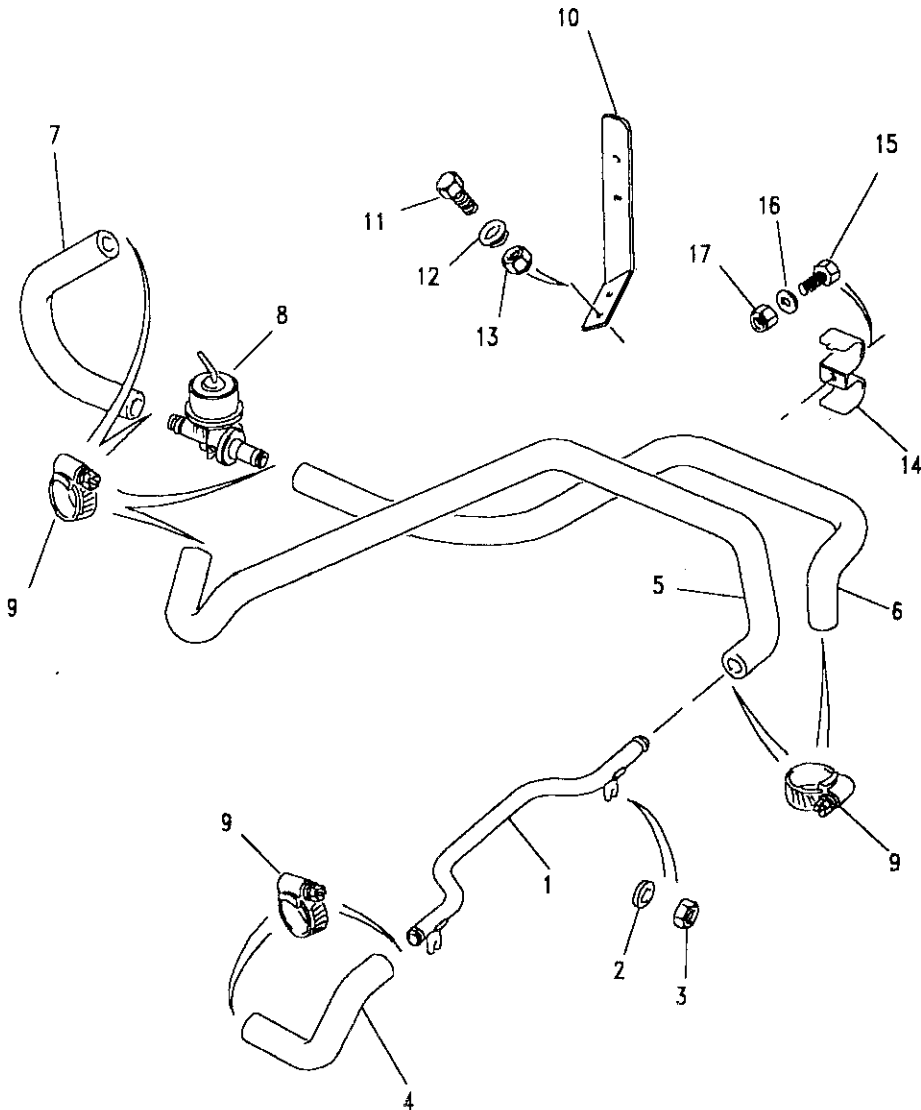
III. Part No.	Description	Qty	Remarks
1	NRC6306	2	Hose heater
2	CN100258L	4	Clip hose
3	NRC8245	2	Pipe heater
4	CN100258L	6	Clip hose
5	ERC3964	1	Hose heater-feed
6	NRC8346	1	Valve water control
7	NRC8347	1	Hose heater-feed
8	NRC8247	1	Hose heater-return
9	NRC8248	1	Bracket mounting
10	594637	1	Clamp pipe
11	FS106201L	1	Flange screw
12	WL106001L	1	Washer spring
13	NH106041L	1	Nut
14	ESR3301	1	Strap retaining

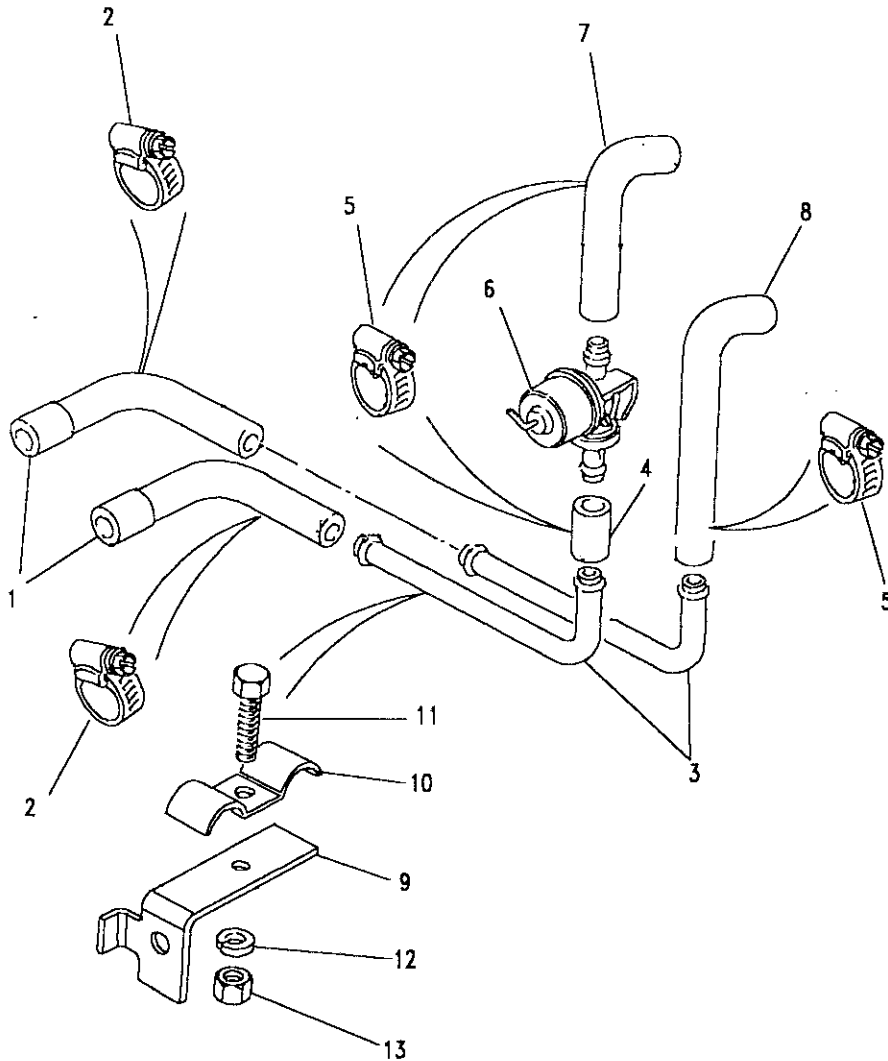


Model DEFENDER 110 1987 onwards  
 Page ADLXPC3A

AIR CONDITIONING - HEATER PIPES - TDI - LHS

III. Part No.	Description	Qty	Remarks
1	ERR371	1	
2	WA110065	2	
3	NT110041L	2	
4	ERR1436	1	
5	BTR984	1	UptoMA939975
	AWR2334	1	FromMA939976
6	BTR985	1	UptoMA939975
	AWR2333	1	FromMA939976
7	BTR986	1	UptoMA939975
	AWR2332	1	FromMA939976
8	NRC8346	1	
9	CN100258L	8	
10	BTR987	1	
11	SH105121L	2	
12	MRC9851	2	
13	NY105041L	2	
14	BTR988	2	
15	SH105121L	2	
16	WA105001L	2	
17	NY105041L	2	
18	ESR3301	1	





Model DEFENDER 110 1987 onwards  
 Page ADLXPC4A

AIR CONDITIONING - HEATER PIPES - V8 - RHS

III. Part No.	Description	Qty	Remarks
1	NRC6314 Hose heater	2	
2	CN100308L Clip hose	4	
3	NRC6902 Pipe heater	2	
4	ERC3964 Hose heater-feed	1	
5	CN100258L Clip hose	10	
6	NRC8346 Valve water control	1	
7	NTC1212 Hose heater-feed	1	
8	NRC6308 Hose heater-return	1	
9	NRC6903 Bracket support	1	
10	NRC6419 Clamp pipe	1	
11	SH106301L Screw	1	
12	WL106001L Washer spring	1	
13	NH106041L Nut	1	
14	ESR3301 Strap retaining	1	

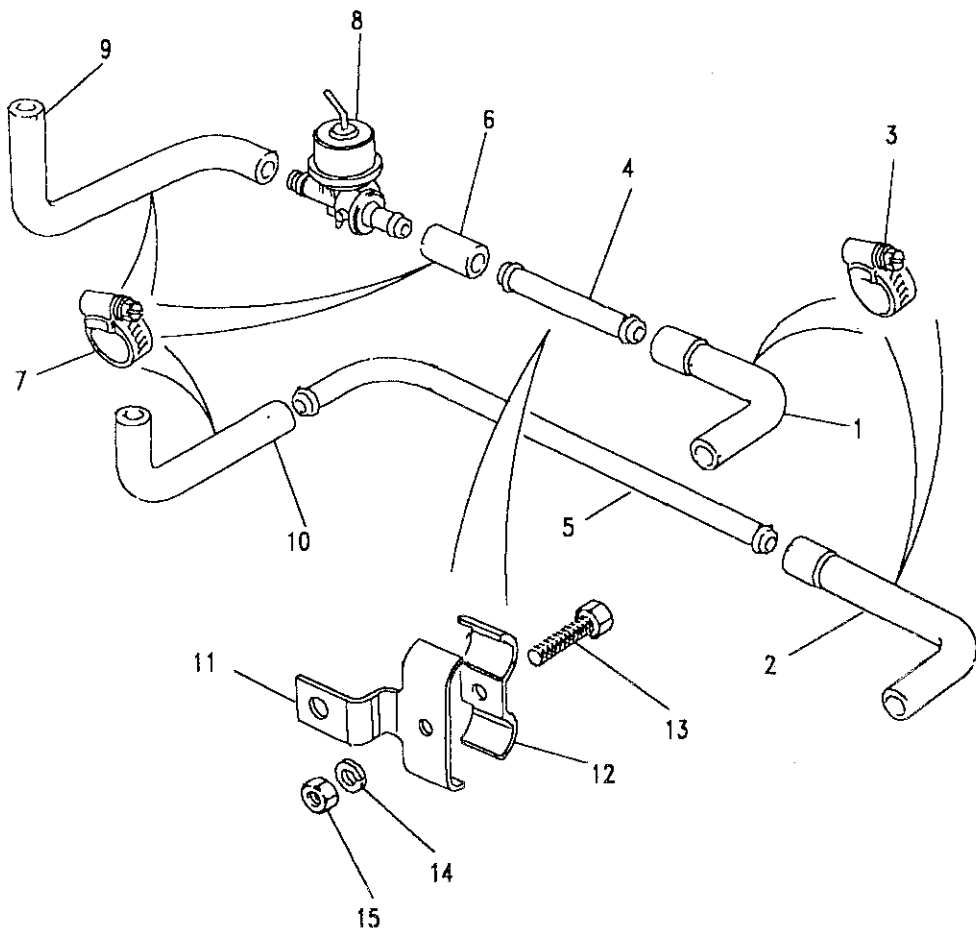


Model DEFENDER 110 1987 onwards

Page ADLXPC5A

AIR CONDITIONING - HEATER PIPES - V8 - LHS

III. Part No.	Description	Qty	Remarks
1	NRC9098	1	Hose heater-feed
2	NRC6353	1	Hose heater-return
3	CN100308L	4	Clip hose
4	NRC9091	1	Pipe heater-feed
5	NTC1090	1	Pipe heater-return
6	ERC3964	1	Hose heater-feed
7	CN100258L	7	Clip hose
8	NRC8346	1	Valve water control
9	NTC1089	1	Hose heater-feed
10	NTC1088	1	Hose heater-return
11	NRC8620	1	Bracket support
12	594637	1	Clamp pipe
13	SH106301L	1	Screw
14	WL106001L	1	Washer spring
15	NH106041L	1	Nut
16	ESR3301	1	Strap retaining





## MASTER INDEX

	PAGES
INTRODUCTION PAGES	1 - 7
ALPHABETICAL INDEX	8 - 16
ENGINE	17 - 66
ENGINE	67 - 119
ENGINE	120 - 166
ENGINE	167 - 209
ENGINE	210 - 245
ENGINE	246 - 299
GEARBOX	300 - 326
GEARBOX	327 - 344
GEARBOX	345 - 359
TRANSFER BOX	360 - 378
TRANSFER BOX	379 - 397
AXLES AND SUSPENSION	398 - 444
STEERING	445 - 471
VEHICLE AND ENGINE CONTROLS	472 - 486
BRAKES	487 - 517
FUEL SYSTEM AND AIR CLEANER	518 - 579
EXHAUST SYSTEM	580 - 593
COOLING/HEATING	594 - 637
COOLING/HEATING	638 - 641
COOLING/HEATING	642 - 649
COOLING/HEATING	650 - 655
COOLING/HEATING	656 - 666
BODY ELECTRICAL	667 - 740
BODY AND CHASSIS	741 - 909
INTERIOR TRIM	910 - 955
SEATS	956 - 1036
STOWAGE	1037 - 1046
ACCESSORIES - PAINTS	1047 - 1074
NUMERICAL INDEX	1076 - 1151

## GROUP L

## COOLING/HEATING

## COOLING/HEATING

RADIATOR	596 - 598
RADIATOR, INTERCOOLER & OIL COOLER - 300TDI	599 - 602
FAN COWL	603 - 604
RADIATOR HOSES	605 - 606
RADIATOR & INTERCOOLER HOSES - 200TDI	607
RADIATOR HOSES - V8	608 - 609
OIL COOLER AND MOUNTING FRAME	610 - 611
COOLER AND FRAME - V8 LT77 GEARBOX	612
PIPES - NOTE(1)	613
PIPES	614
PIPES - V8 - UPTO VIN FA429127	615 - 616
PIPES - V8 - FROM VIN FA429128	617
PIPES - V8 LT77 GEARBOX	618
EXPANSION TANK	619 - 622
HEATER	623 - 625
HEATER COMPONENTS	626
HEATER CONTROLS	627 - 628
DEMISTERS AND OUTLET FLAPS	629
HEATER PIPES - 4 CYL PETROL 630 DIESEL	630
HEATER PIPES - 4 CYL PETROL 631 DIESEL	631
HEATER PIPES - V8	632
HEATER PIPES - 200TDI	633 - 634
HEATER PIPES - 300TDI	635
CONDENSER - RHS/LHS	636
EVAPORATOR ASSEMBLY - RHS	637





DEFENDER 110 1987 onwards

657

COOLING/HEATING

GROUP L

COOLING/HEATING

COOLING/HEATING

FLUID SYSTEM - RHS

VACUUM PIPES & RESERVOIR - RHS/LHS

HEATER PIPES - 4 CYLINDER - RHS

647

648

649

GROUP L

COOLING/HEATING

COOLING/HEATING

FRESH AIR DUCT - RHS

PLENUM 659 DEFROSTERS - RHS

FACIA PANEL ASSEMBLY - RHS

FRESH AIR DUCT - LHS

AIR DUCT INSULATION - LHS

HEATER CONTROLS - LHS

PLENUM CHAMBER - LHS

FACIA PANEL - LHS

DEMISTER AND FLAPS

658

659

660

661

662

663

664

665

666

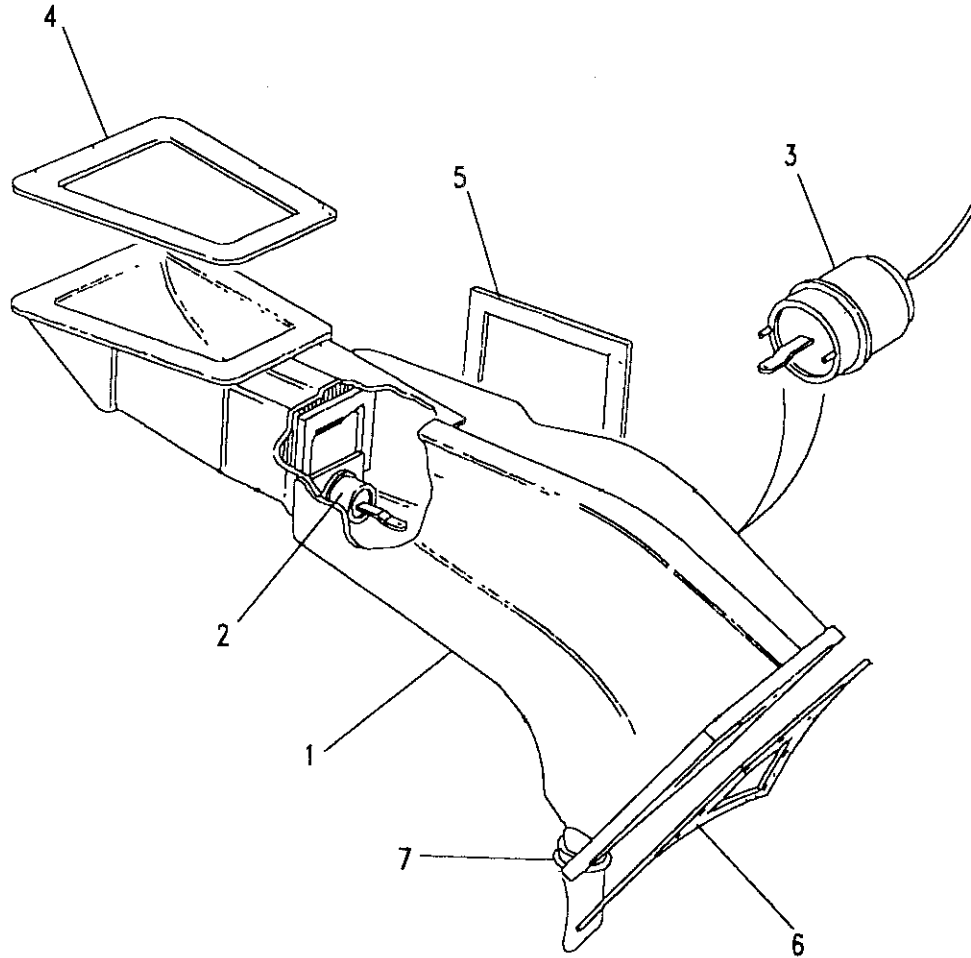




Model DEFENDER 110 1987 onwards  
Page AFLXRA1A

AIR CONDITIONING - FRESH AIR DUCT - RHS

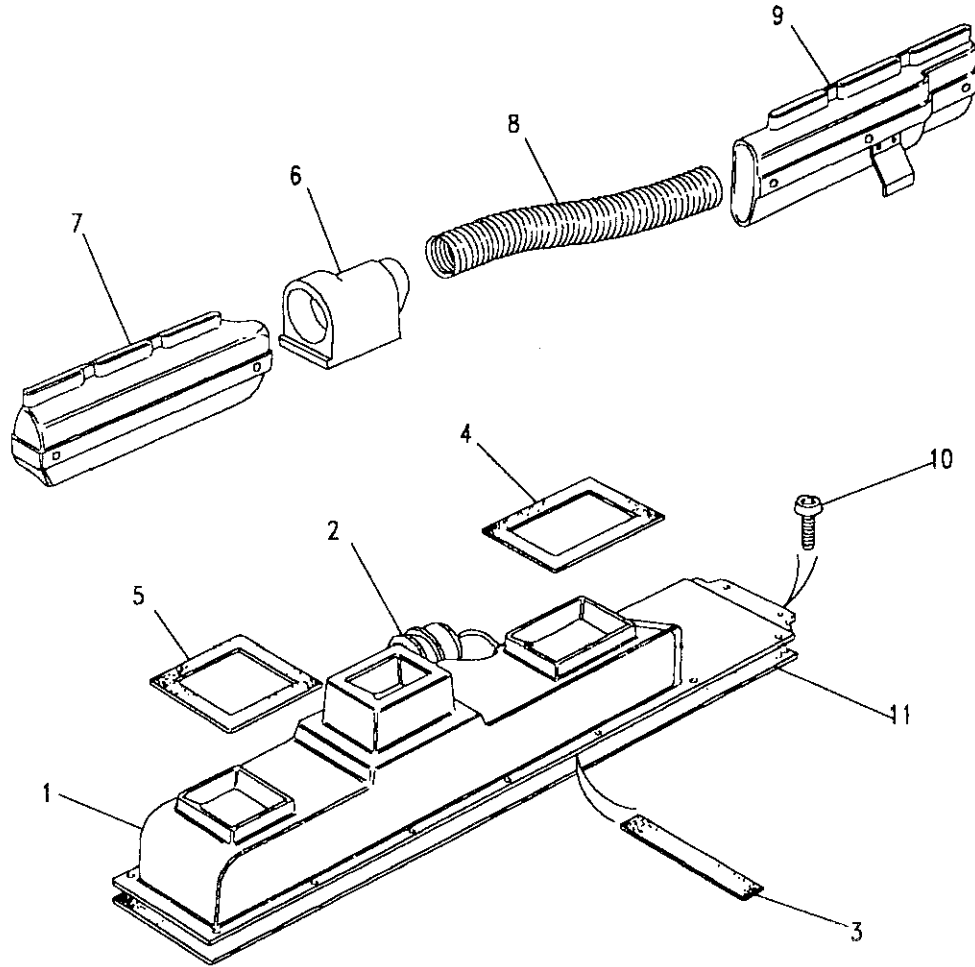
III. Part No.	Description	Qty	Remarks
1 MUC1668	Duct air	1	
2 MUC4884	Motor vacuum	1	
3 RTC7467	Motor vacuum	1	
4 MUC4883	Seal - duct to wing top	1	
5 MUC4886	Seal - duct to evaporator	1	
6 MUC4888	Seal - air duct to dash	1	Upto EA332911
MWC4860	Seal - air duct to dash	1	From EA332912
7 RTC7470	Clamp	1	





Model DEFENDER 110 1987 onwards  
Page AFLXRA2A

AIR CONDITIONING - PLENUM & DEFROSTERS - RHS

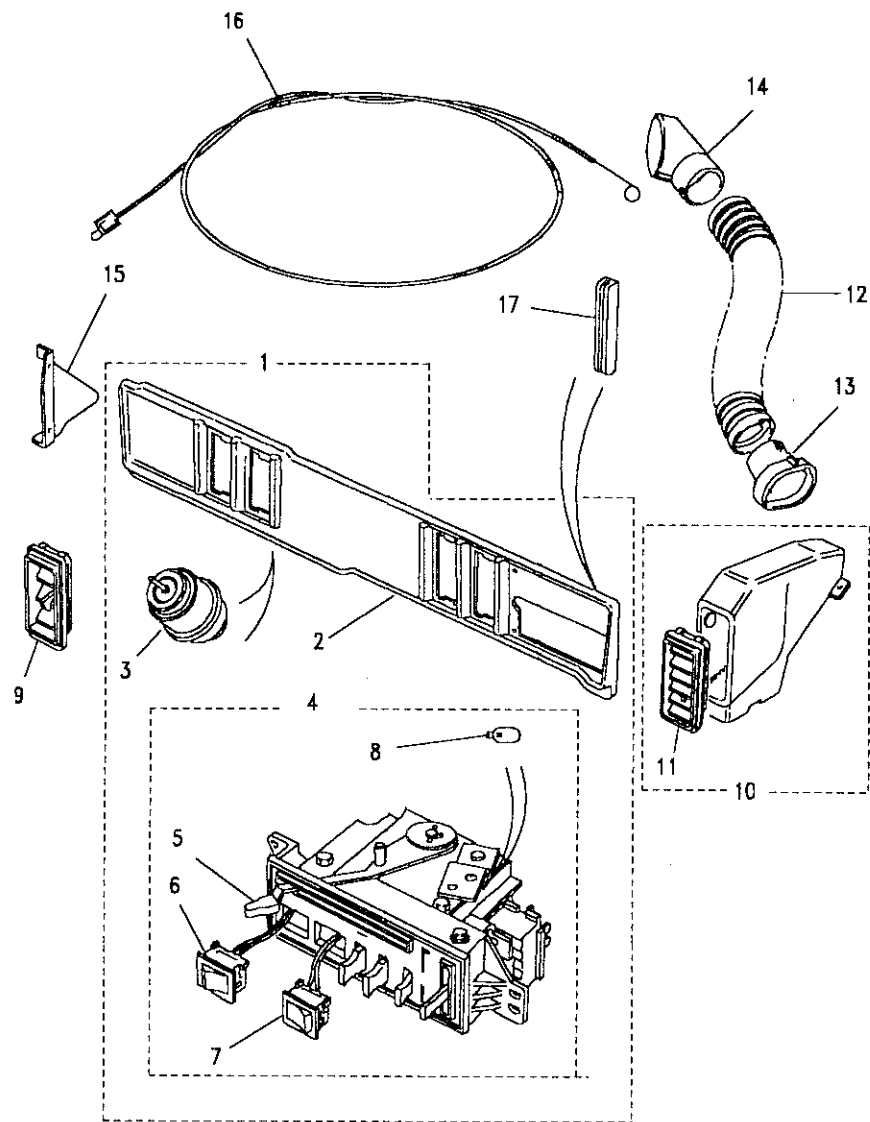


III. Part No.	Description	Qty	Remarks
1	MUC1665 Plenum chamber assembly	1	
2	AEU4002 Motor vacuum	2	
3	MUC6021 Seal	1	NLS
4	MUC4882 Seal RH	1	
5	MUC4881 Seal LH	1	
6	MUC4891 Adaptor	1	
7	MUC1673 Duct LH	1	
8	MUC4892 Hose	1	
9	MUC1674 Duct RH	1	UptoMA939975
	AWR1247 Duct RH	1	FromMA939976
10	AB606021L Screw	22	
11	MUC3695 Pad insulation	1	



Model DEFENDER 110 1987 onwards  
 Page AFLXRA3A

AIR CONDITIONING - FACIA PANEL ASSEMBLY - RHS

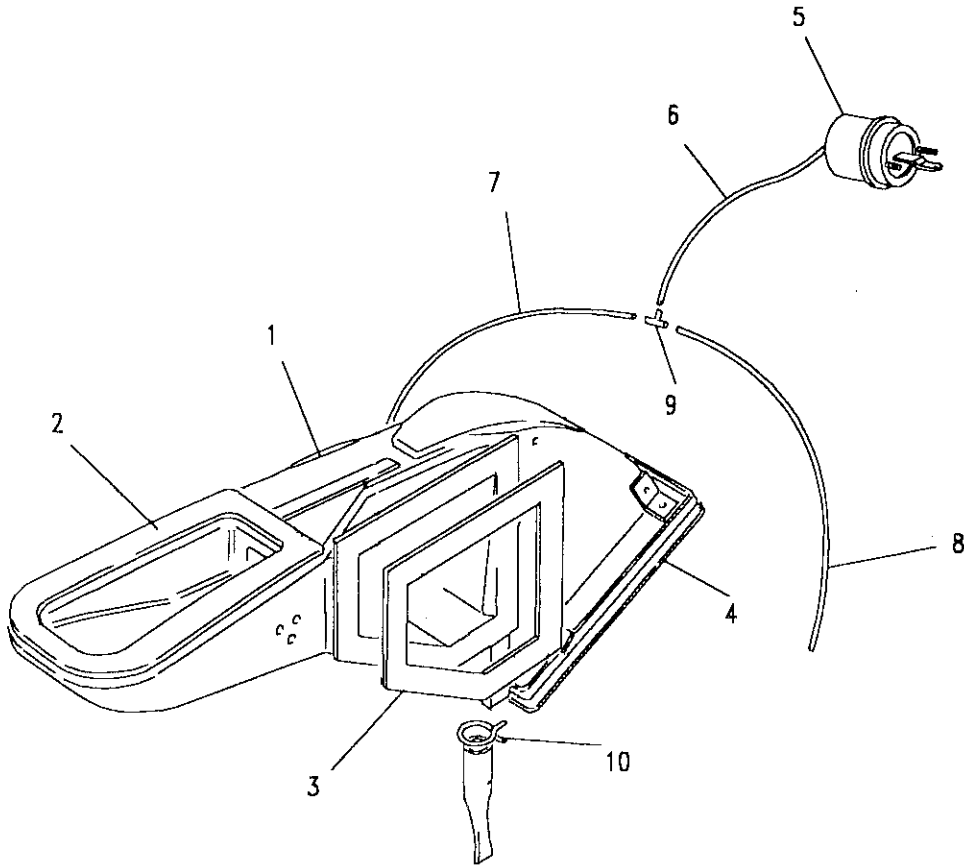


Ill. Part No.	Description	Qty	Remarks
1	MUC1667	1	
2	MUC6001	1	UptoMA939975
	AWR1245	1	FromMA939976
3	AEU4002	2	
4	MUC1666	1	UptoMA939975
	AWR1666	1	FromMA939976
5	MUC6011	1	
6	MUC6012	1	
7	MUC6013	1	
8	573289	1	
9	MUC4880	4	
10	MUC1669	1	
11	RTC7411	1	
12	MUC4895	1	Upto EA332911
	MXC3418	1	From EA332912
13	MXC3357	1	From EA332912
14	MXC3358	1	From EA332912
15	MUC1670	1	
16	MUC1680	1	
17	RTC7465	1	



Model DEFENDER 110 1987 onwards  
Page AFLXRA4A

AIR CONDITIONING - FRESH AIR DUCT - LHS



III. Part No.	Description	Qty	Remarks
1	MTC5571 Duct air	1	
2	RTC7461 Seal - duct to wing top	1	
3	RTC7460 Seal - duct to evaporator	1	
4	RTC7459 Seal - air duct to dash	1	
5	AEU4002 Motor vacuum	1	
6	Hose vacuum	1	5" Note(1)
7	Hose vacuum	1	12" Note(1)
8	Hose vacuum	1	9" Note(1)
9	MUC4455 Tee piece	1	
10	RTC7470 Clamp	1	
	ATU1041 Clamp hose	8	

Note(1) Use MUC4878 = 30" x 0.109375"

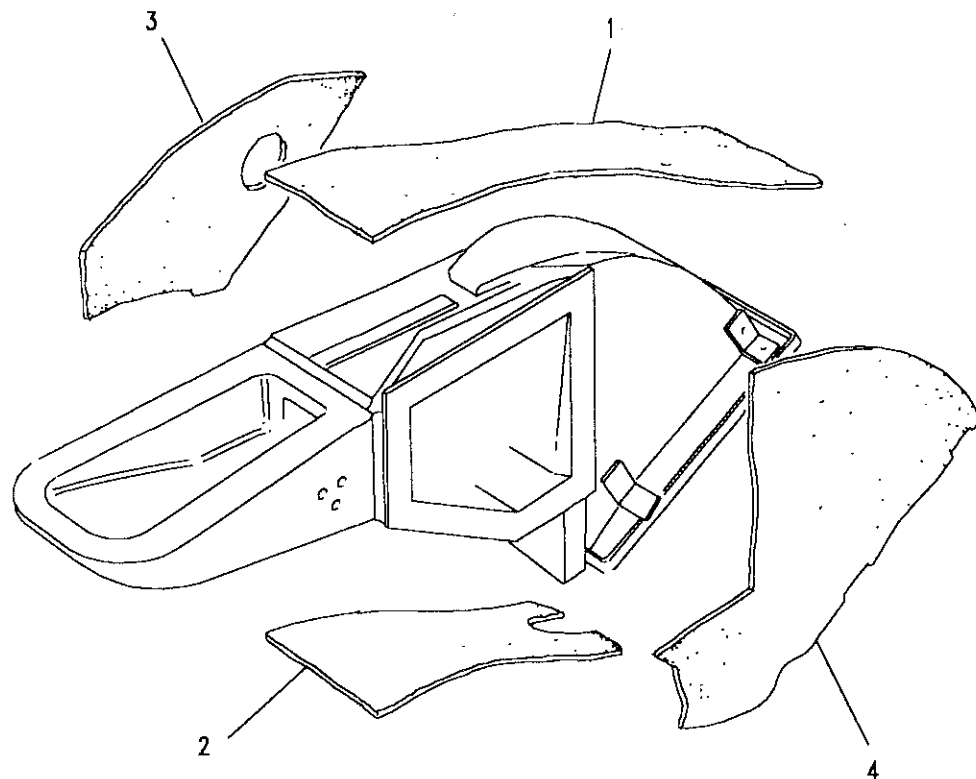




**Model** DEFENDER 110 1987 onwards  
**Page** AFLXRA5A

**AIR CONDITIONING - AIR DUCT INSULATION - LHS**

III. Part No.	Description	Qty	Remarks
1 MUC1657	Insulation top	1	
2 MUC1658	Insulation bottom	1	
3 MUC1659	Insulation outer	1	
4 MUC1660	Insulation inner	1	

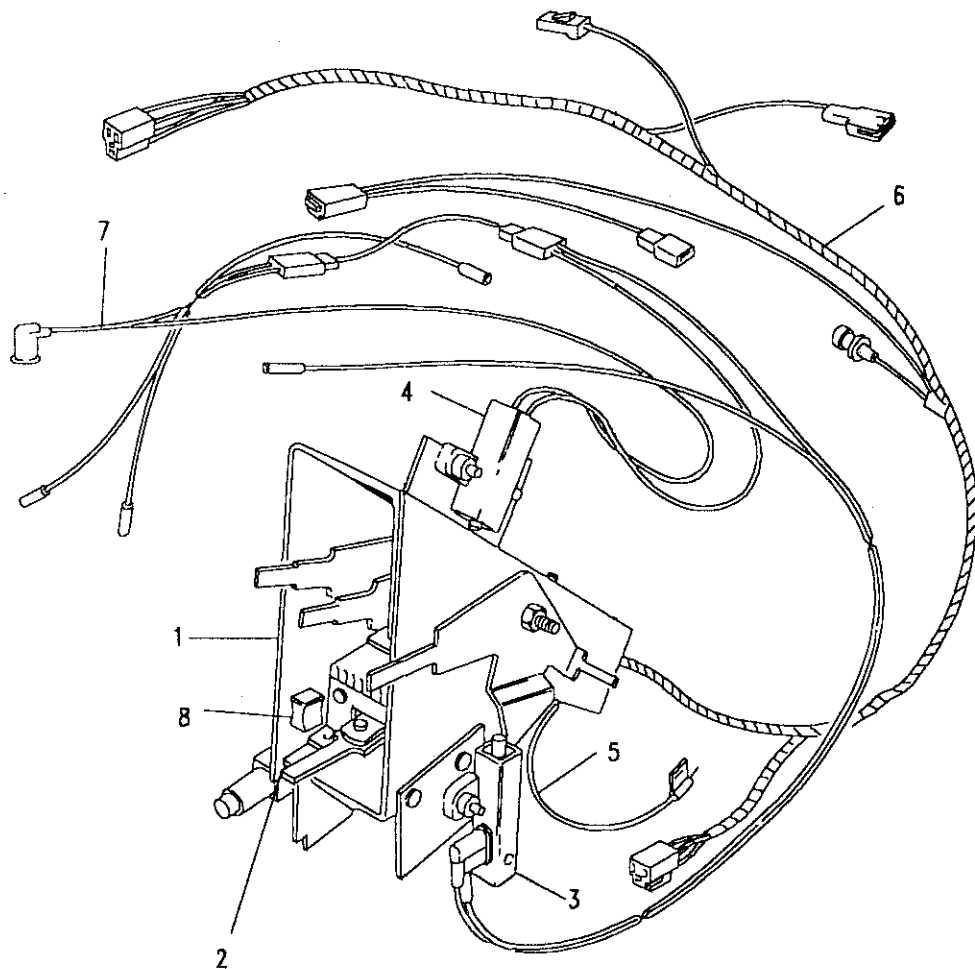


**Model** DEFENDER 110 1987 onwards

**Page** AFLXRA6A

**AIR CONDITIONING - HEATER CONTROLS - LHS**

III. Part No.	Description	Qty	Remarks
1 MTC5573	Control heater	1	UptoMA939976
AWR1179	Control heater	1	FromMA939976
2 AEU1205	Switch fan speed	1	
3 RTC7443	Switch vacuum	1	
4 RTC7451	Switch vacuum	1	
5 RTC7445	Cable control	1	Short
6 RTC7448	Harness electric	1	
7 RTC7466	Harness vacuum	1	
8 AEU1198	Knob	4	





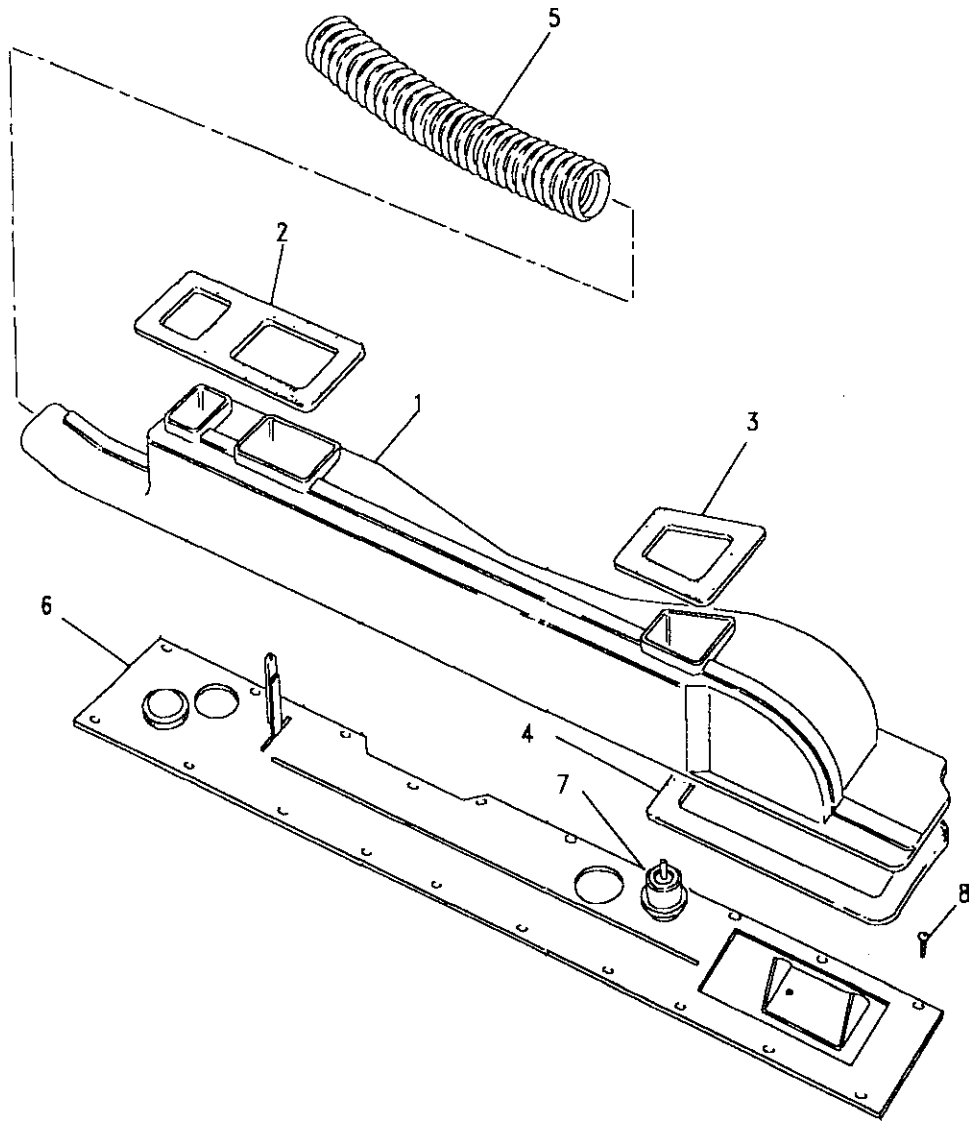
**Model** DEFENDER 110 1987 onwards

**Page** AFLXRA7A

**AIR CONDITIONING - PLENUM CHAMBER - LHS**

III. Part No.	Description	Qty	Remarks
1 RTC7408	Plenum chamber assembly	1	
AWR1174	Plenum extension	1	FromMA939976
2 RTC7462	Seal outlet	1	
3 RTC7463	Seal outlet	1	
4 RTC7464	Seal inlet	1	
5 RTC7409	Hose	1	
6 RTC7415	Panel closing	1	UptoMA939975
AWR1448	Panel closing	1	FromMA939976
7 AEU4002	Motor vacuum	1	
8 AB606021	Screw	22	

**Plenum chamber to toe box**  
367078  
Spacer A/R

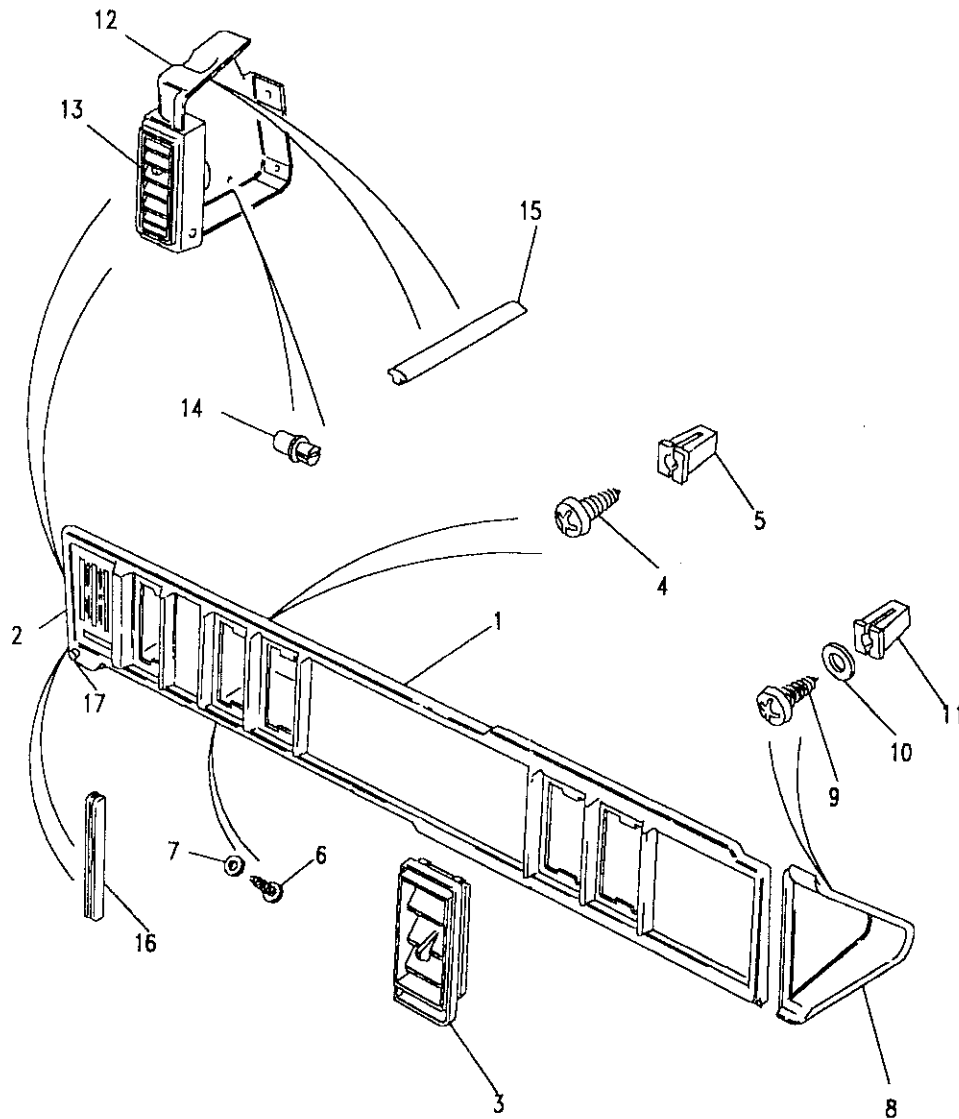




DEFENDER 110 1987 onwards

665

COOLING/HEATING



**Model** DEFENDER 110 1987 onwards  
**Page** AFLXRA8A

**AIR CONDITIONING - FACIA PANEL - LHS**

Ill. Part No.	Description	Qty	Remarks
1	RTC7450	1	
2	AEU4000	1	Plate instruction
3	AEU4001	5	Louvre
	AWR1169	5	Louvre

**Facia to front plate**

4	AC608065	2	Screw
5	ACU5431	2	Nut lokut
6	AB608051	2	Screw
7	WC105001	2	Washer plain

**Facia panel end finishers**

8	MTC5581	1	Finisher
9	AW606124	1	Screw
10	WA104004	1	Washer plain
11	ACU5431	1	Nut lokut
12	RTC7410	1	Finisher assembly
	AWR1170	1	Finisher assembly
13	RTC7411	1	Louvre
14	79086	1	Rivet rokut
15	MTC7516	1	Finisher
16	RTC7465	1	Finisher
17	RTC7412	1	Switch illuminated
	RTC7413	1	Bulb

UptoMA939975  
FromMA939976



Model DEFENDER 110 1987 onwards

Page AFLXRA9A

**AIR CONDITIONING - DEMISTER AND FLAPS**

Ill. Part No.	Description	Qty	Remarks
1 NRC9668	Nozzle RH	1	LHS
MXC3188	Nozzle RH	1	200Tdi LHS Upto VIN JA906639
BTR1600	Nozzle RH	1	200Tdi LHS From VIN JA906640
1 NRC9669	Nozzle LH	1	LHS
MXC3189	Nozzle LH	1	200Tdi LHS Upto VIN JA906639
BTR1599	Nozzle LH	1	200Tdi LHS From VIN JA906640
2 AB608047L	Screw	2	LHS
3 WA105001	Washer plain	2	LHS

**Fixings - 200Tdi LHS**

AB608054L	Screw	4	
RTC3745	Nut lokut	1	RH nozzle
AK608021	Nut spring	1	RH nozzle
4 MRC7279	Flexible Tube	2	LHS
5 MRC7281	Grommet	2	LHS
6 MUC1139	Outlet flaps assy LHS	1	Upto HA905497 NLA use BTR1347
BTR1347	Outlet flaps assy LHS	1	From HA905498
MUC3278	Outlet flaps assy RHS	1	Upto JA908189 NLA use BTR1348
BTR1348	Outlet flaps assy RHS	1	From JA908190
7 MTC5578	Actuating bar	1	
8 346796	Spring	2	
9 395829	Grille outlet RH	1	
395830	Grille outlet LH	1	
10 MRC1525	Screw	4	

