

HEATED FRONT SCREEN

Description

General

The Heated Front Screen (HFS) comprises two separate elements, one RH and one LH. When the switch is pressed, both elements operate simultaneously. A tell-tale LED is located in the switch to inform the driver when the HFS is operational.

Operation

Power Distribution

Feed from the positive battery terminal (C0192) is supplied to fusible link 1 and fusible link 5 of the under seat fuse box (C0632) on an N wire. Fusible link 1 (C0575) is connected to fuse 36 of the passenger compartment fuse box (C0595) by an NO wire. Fuse 36 (C0595) provides a constant battery feed to the HFS relay (C0994) on an NO wire.

Fusible link 5 is connected to the ignition switch (C1043 on LHD C0028 on RHD) by an NW wire. When the ignition switch is turned to the 'ignition' position, current flows across the switch (C1732 on LHD, C0094 on RHD) to fuse 15 of the passenger compartment fuse box (C0580) on a W wire. Fuse 15 (C0580) provides an ignition feed to the HFS timer unit (C1623) on an WG wire.

HFS Timer Unit

The HFS timer unit (C1623) monitors the condition of the HFS switch (C0131) by providing a feed on a KO wire. When the HFS switch is pressed, an earth path is created on a B wire.

In order for the HFS timer unit to operate the HFS, it must also receive an ignition feed from fuse 15 of the passenger compartment fuse box, and an engine running signal from the oil pressure switch (C0187) on a WN wire. When both of these are received, the HFS timer unit (C1623) energises the HFS relay (C0994) by providing a feed to the relay coil on a PY wire. The relay coil (C0994) is earthed on a B wire.

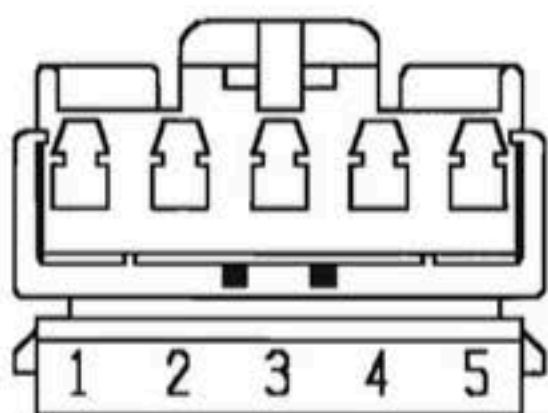
The energised HFS relay (C0994) provides a feed to the HFS elements (C0247) and the HFS switch tell-tale LED (C0131) on PS wires. Both are earthed on B wires.



Cav	Col	Cct
1	KO	26
2	RO	26
4	B	26
5	PS	26

Description: *Switch - Heated front screen*

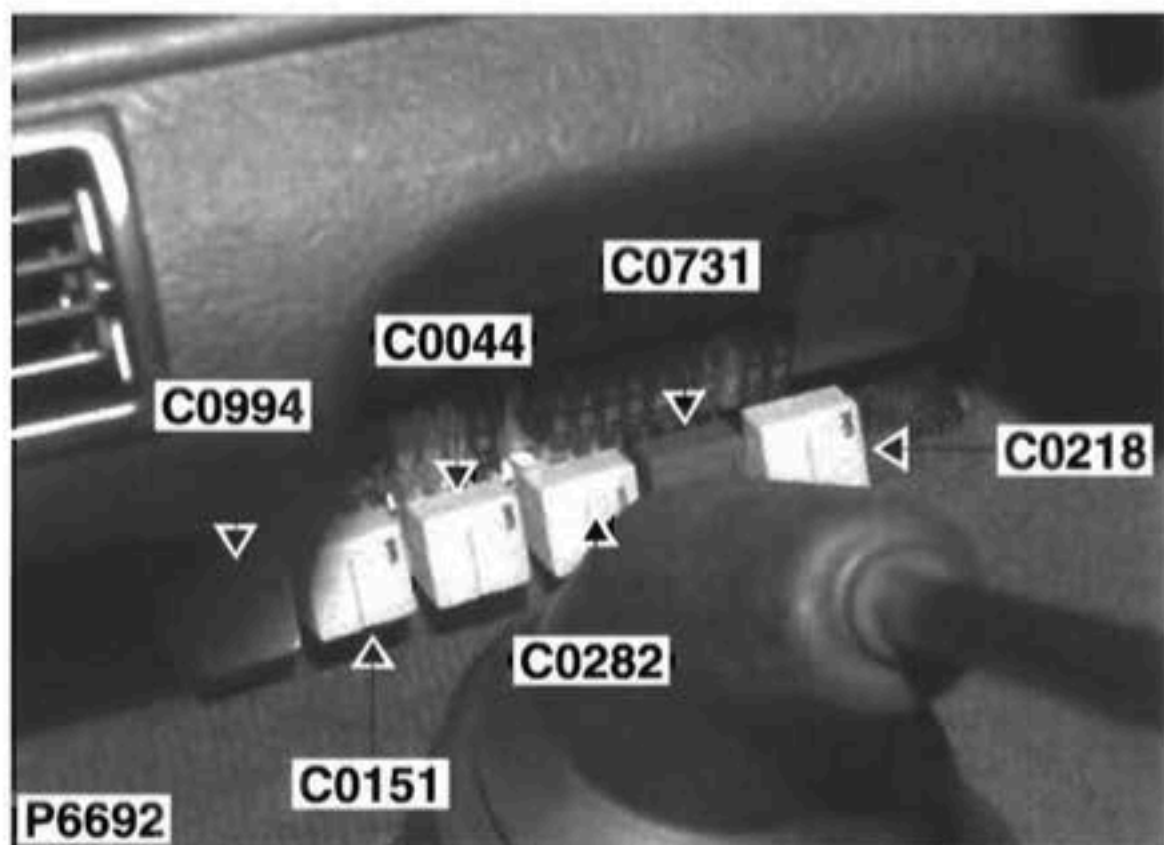
Location: *Fascia - top centre*



YPC10524

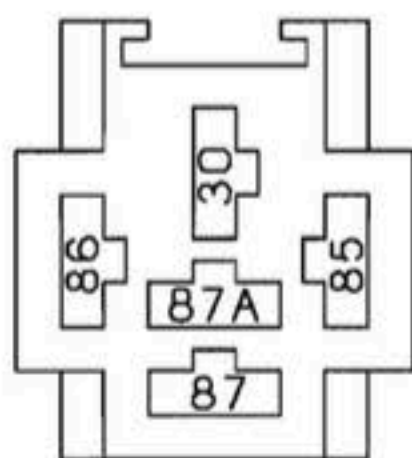
Colour: *WHITE*

Gender: *Female*



Cav	Col	Cct
30	NP	26
85	PY	26
86	B	26
87	PS	26

Description: *Relay - Heated front screen*
 Location: *Behind centre of fascia*

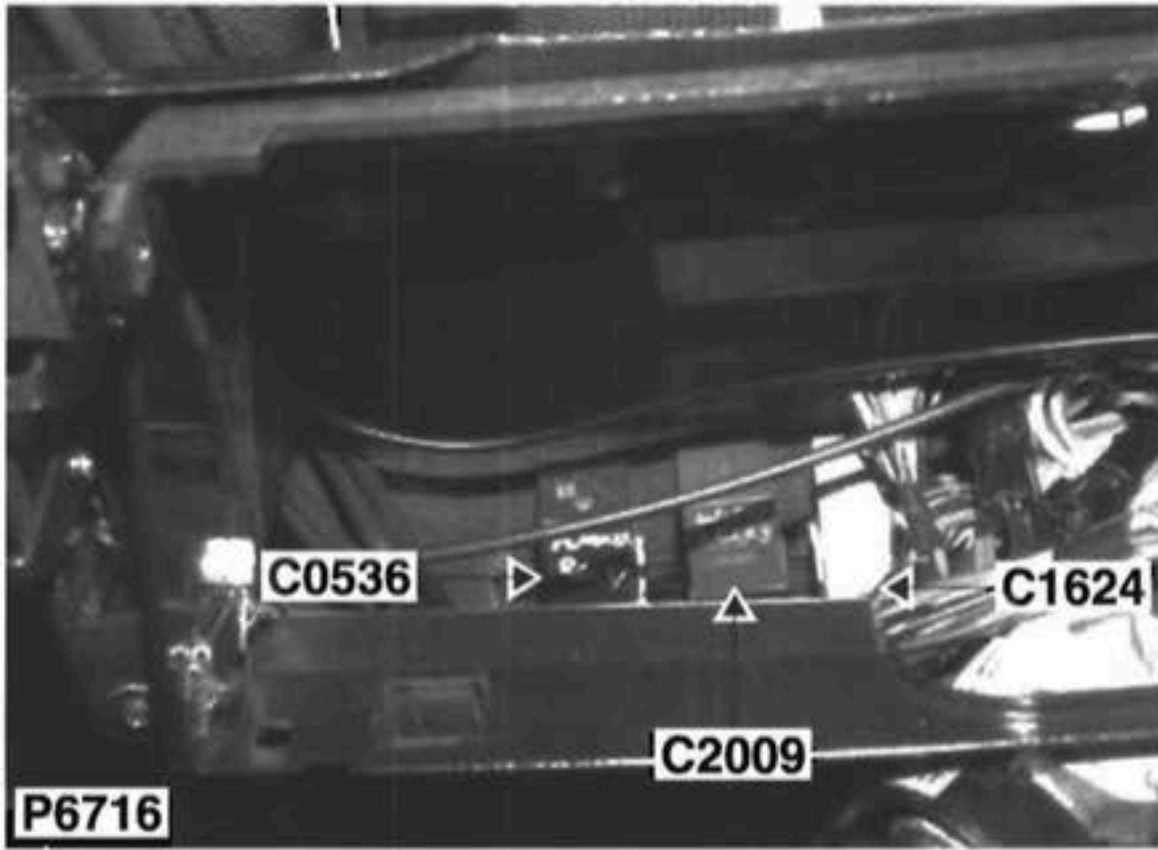


AFU3271

Colour: *YELLOW*
 Gender: *Female*

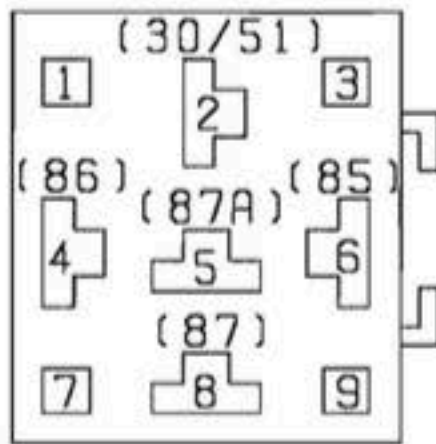
C1624

CONNECTOR DETAILS



Cav	Col	Cct
2	B	26
4	WG	26
5	KO	26
6	WN	26
8	PY	26

Description: *Heated screen - Front*
Location: *Behind LH side of fascia*



AFU4177

Colour: *BLACK*
Gender: *Female*