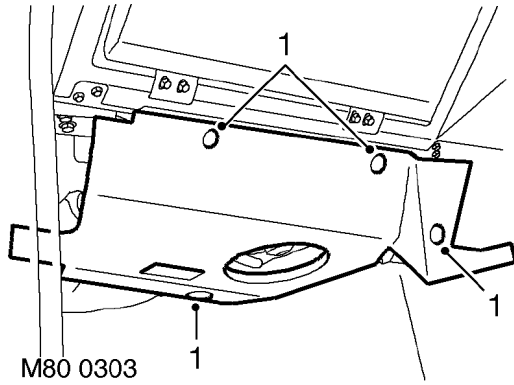
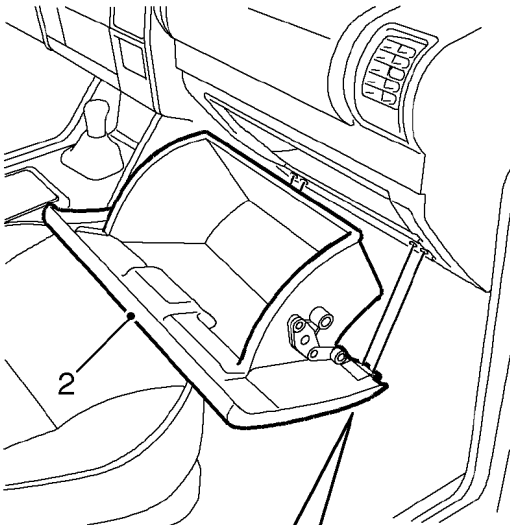

Motor - blower

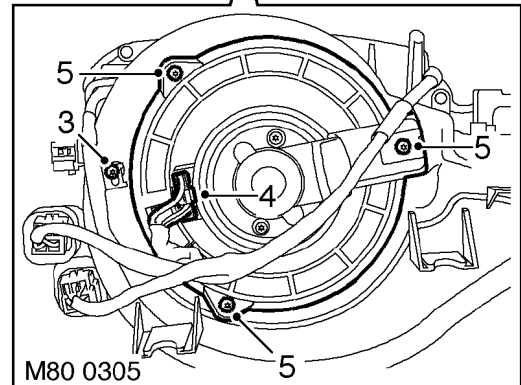
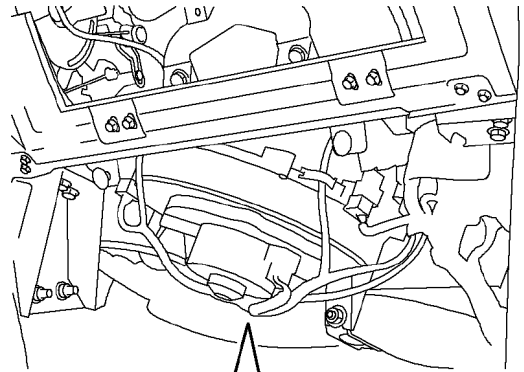
🔑 80.20.15

Remove

1. Remove 4 studs securing toe board and remove toe board.



2. Remove 4 screws securing glove box, release catch and remove glove box.



3. Remove screw securing harness to blower motor and release harness.
4. Disconnect multiplug from blower motor.
5. Remove 3 screws securing blower motor to casing and remove blower motor.

Refit

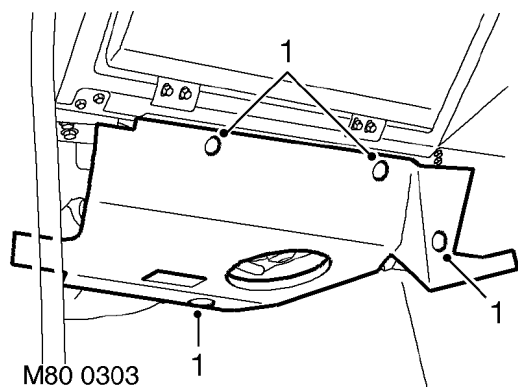
1. Position blower motor to casing and secure with screws.
2. Connect multiplug to blower motor.
3. Position harness and secure clip with screw.
4. Fit glove box, align hinges and tighten screws.
5. Position toe board and secure with studs.

HEATING AND VENTILATION

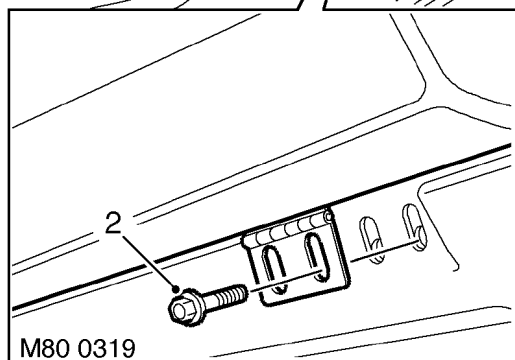
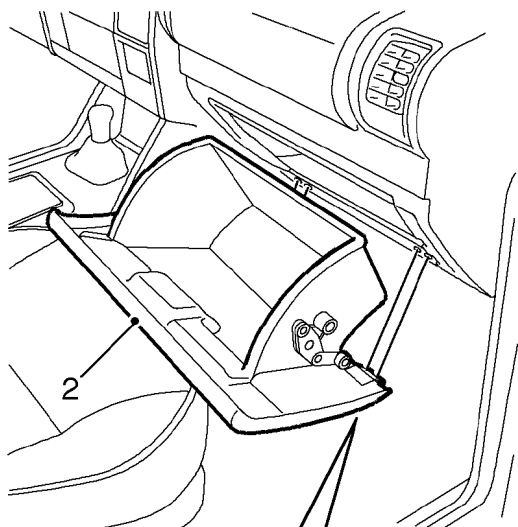
Resistor pack - power resistor A/C

80.20.17

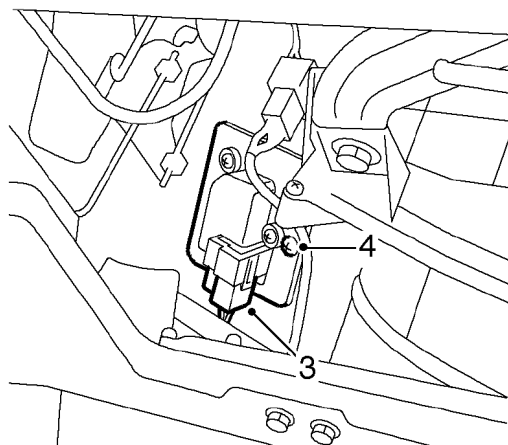
Remove



1. Remove 4 studs securing toe board and remove toe board.



2. Remove 4 screws securing glove box, release catch and remove glove box.



3. Disconnect multiplug from resistor.
4. Remove screws securing resistor, release and remove resistor.

Refit

1. Position resistor and secure with screw.
2. Connect multiplug to resistor.
3. Position glove box, fit and tighten screws.
4. Position toe board and secure with studs.