



complete
 from
 brake
 to

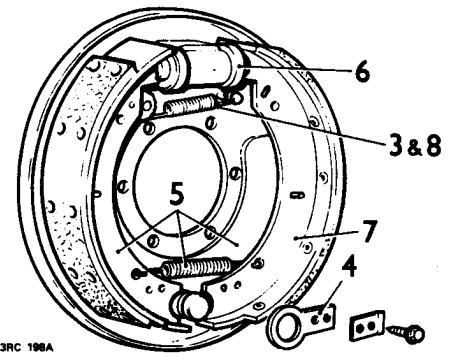
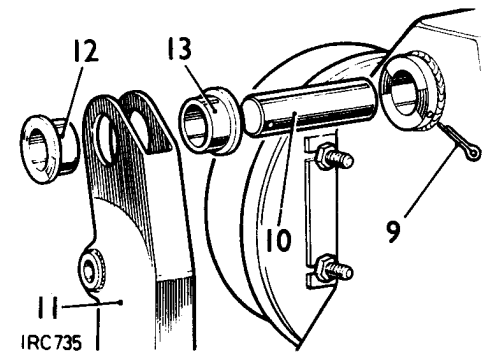
(Servo Systems)
 13 Withdraw the brake shoes using
 with bushes.
 12 If required, remove the bushes
 the pedal.
 between
 ratchet

Refitting
 13 If removed, fit the bushes
 special. New bushes must
 15.9 mm (0.75 in.)
 14 Reverse instructions
 general purpose grease
 moving parts.
 15 Apply a waterproof sealant
 the joint flaps of the
 and the sea box.
 16 Reverse instructions
 17 Check and, if necessary,
 brake pedal switch
 pedal box box cover
 3 Gram to 25 mm (1.5 in.)
 pedal movement.
 18 Bleek the complete
 70.25.02

70.40.02 or
 70.40.03
 BRAKE SHOES 88 models
 Remove and refit
 front shoes
 Rear shoes
 together
 them by

Removing
 1 Remove the road wheel.
 2 Remove the brake drum
 70.10.02 as appropriate.
 3 Remove the leading shoe
 spring.
 4 Remove the trailing shoe
 withdraw the brake shoes
 from the pivot and disconnect
 disconnecting the leading shoe
 6 Retain the pistons in the
 cylinder using a rubber band.
 7 If required, re-line the
 70.40.10.

DATA



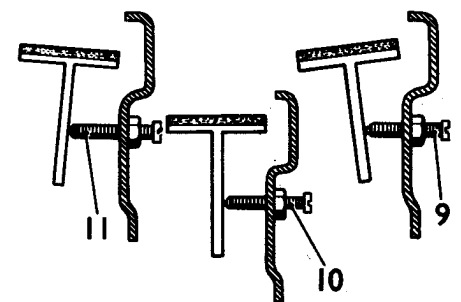
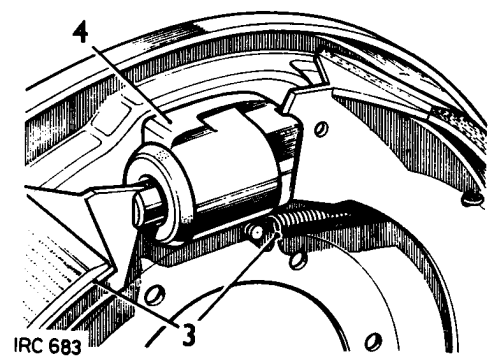
FRONT BRAKE SHOES – 109 models

Remove and refit 70.40.02

Removing
 1 Remove the road wheel.
 2 Remove the brake drum. 70.10.02.
 3 Release the brake shoes and pull-off
 springs by levering the trailing edges
 away from the wheel cylinders.
 4 Retain the pistons in the wheel
 cylinders, using a rubber band.
 5 If required, re-line the brake shoes.
 70.40.10.

Refitting
NOTE: Ensure that the correct width of
 brake shoe is fitted as follows:
 109 models with 4-cylinder engines
 – 57 mm (2.250 in.) wide; 109 models
 with 6-cylinder engines – 76 mm (3.0
 in.) wide.
 6 Reverse instructions 2 to 4.
 7 Adjust the brakes fully on, then back-
 off two serrations on the adjusters.
 8 If the brake shoe steady posts have
 been disturbed, reset as follows, items
 9 to 11.
 9 Screw back the steady posts clear of
 the brake shoes and apply the brakes.
 10 Screw in the steady posts to contact
 the brake shoes then secure.
 11 Do not tilt the brake shoes by screw-
 ing in the steady posts too far.
 12 Fit the road wheel.

DATA
 Brake shoe width
 4 cylinder engine models 57 mm (2.250 in.)
 6 cylinder engine models 76 mm (30 in.)



Refitting
 8 Reverse 2 to 6, refitting the leading
 shoe pull-off spring with its longest
 extremity hooked over the post on the
 shoe web.
 9 Adjust the brakes fully on, then back
 off two serrations on the adjuster.
 10 Fit the road wheel.
 38 mm (1.5 in.)