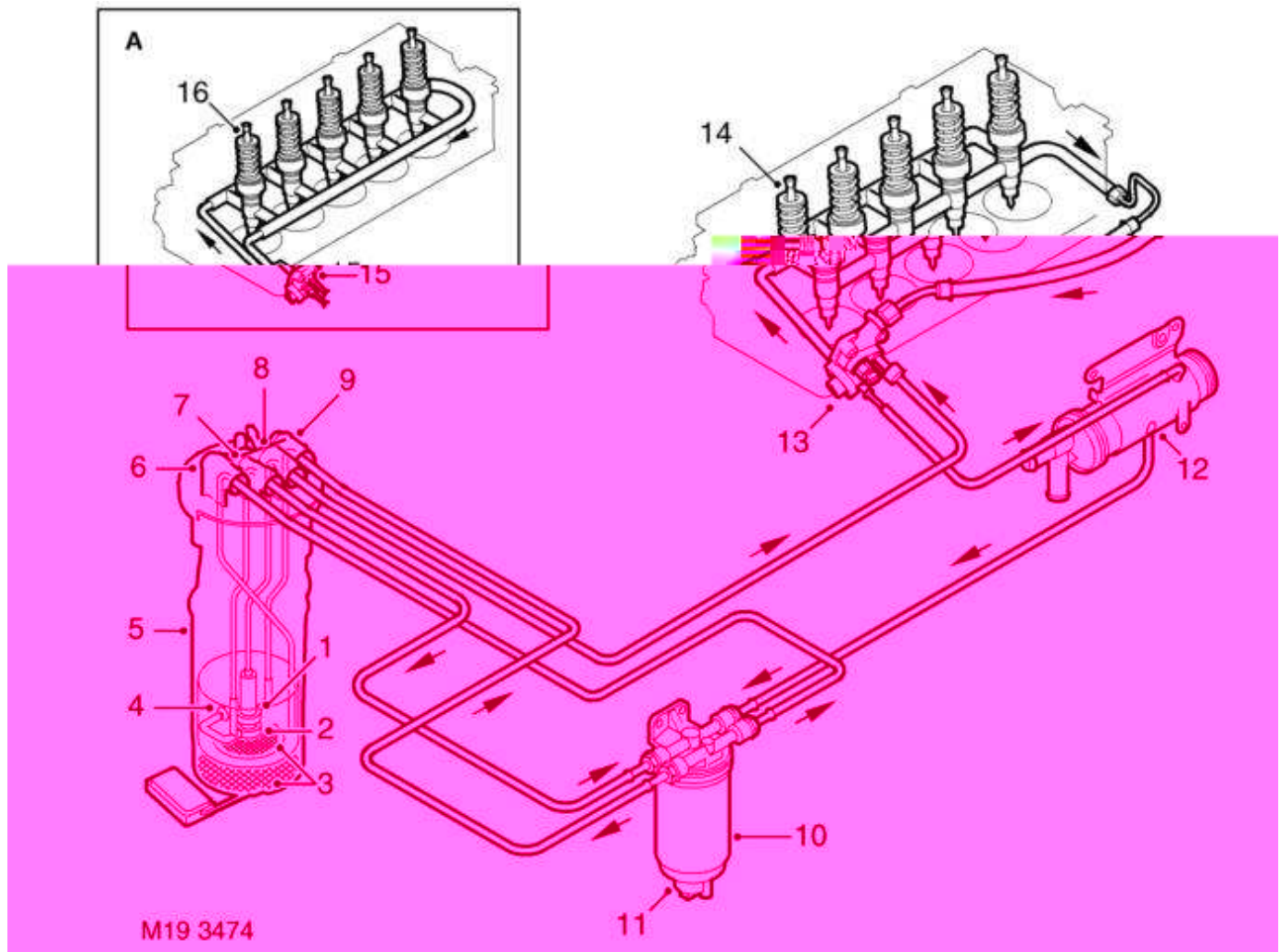


Fuel delivery system component location



A = Pre EU3 models

1. HP stage
2. LP stage
3. Filters
4. Jet pump
5. Fuel pump and fuel gauge sender assembly
6. LP return connection
7. LP feed connection
8. HP feed connection
9. Air bleed connection
10. Fuel filter
11. Water sensor
12. Fuel cooler
13. Fuel pressure regulator (EU3 models)
14. Electronic unit injectors
15. Fuel pressure regulator (pre EU3 models)
16. Electronic unit injectors