

GROUP R

**Seats
Seating
Squab Lock-Rear Forward Facing-Individual**

Number	Description	Quantity	Change Point	Remarks
7863	Nut-plate	3		
812156L	Rivet	6		
C4798	Bolt-shouldered	3		
7861	STRIKER-REAR SEAT RH..... SQ	3		
7861	centre..... JAB			
7862	LH	1		
106161L	Screw-M6 x 16	1		
J1080	Washer-plain	1		
106047L	Nut-hexagonal head-hyloc-M6	3		
34	Screw	6		
C8801	Spring	3		
C8802	Plate	3		
06204	Screw-hexagonal head-M6	3		
06044	Nut-hexagonal-M6 x 20-long-bronze	3		
		1		
		1		

DEFENDER

GROUP R

**Seats
Seating
Lock-Rear Forward Facing Individual**

Illus Part Number

- 1 336294
- 2 FS106167L
- 3 MRC5525
- 4 WL106001L
- 5 NH106041L
- 6 336288
- 7 77869
- 8 WC702101L
- 9 WM702001L
- 10 RTC608
- 11 MTC6792
- 12 78248

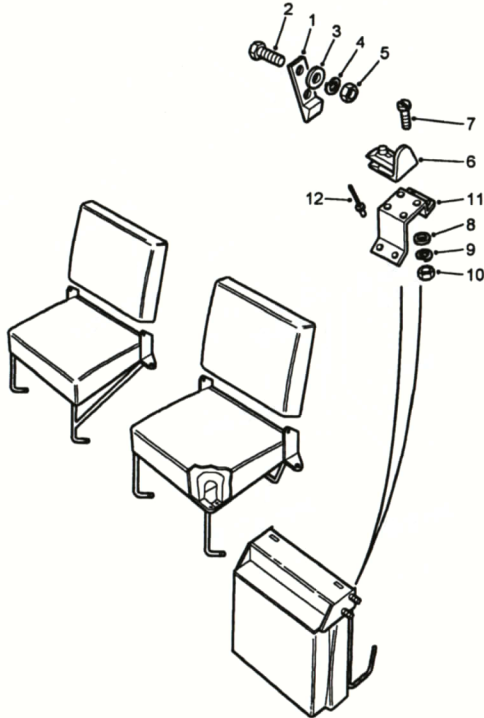
Description

- Striker-seat lock 2
- Screw-flanged head-flanged head-M6 x 16 4
- Washer-plain-standard 4
- Washer-sprung-M6 4
- Nut-hexagonal-nyloc-M6 4
- Catch 2
- Screw 8
- Washer-plain 8
- Washer-spring-3/16 dia-square 8
- Nut 8
- Bracket-door lock security 2
- Rivet-pop-3/16" x 0.45"lng 8

Quantity

Change Point

Remarks



AJRXIA2A