

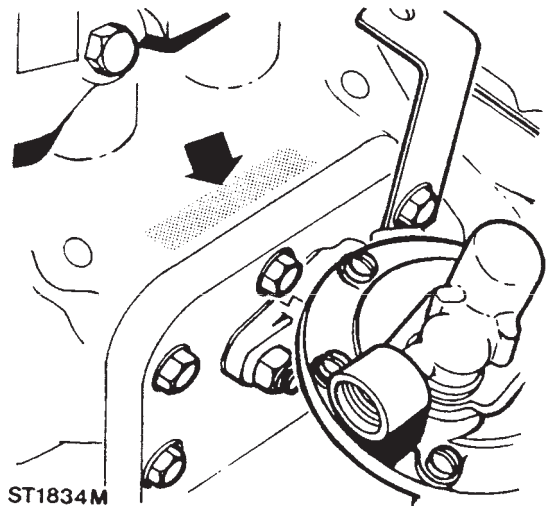
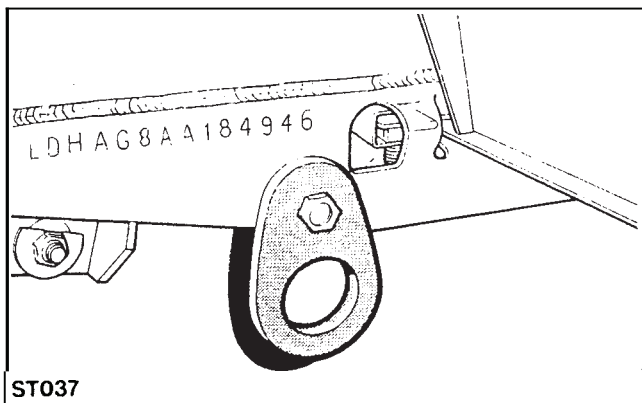
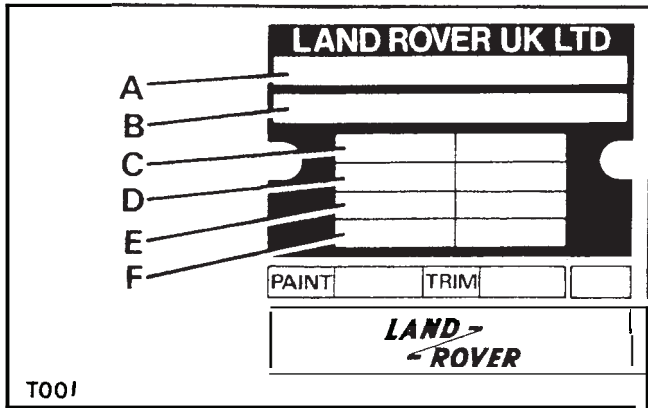
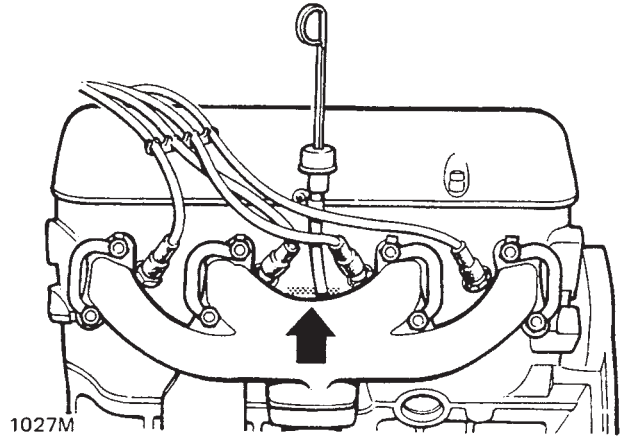
**VEHICLE IDENTIFICATION NUMBER (VIN)**

The Vehicle Identification Number and the recommended maximum vehicle weights are stamped on a plate riveted to the top of the brake pedal box in the engine compartment.

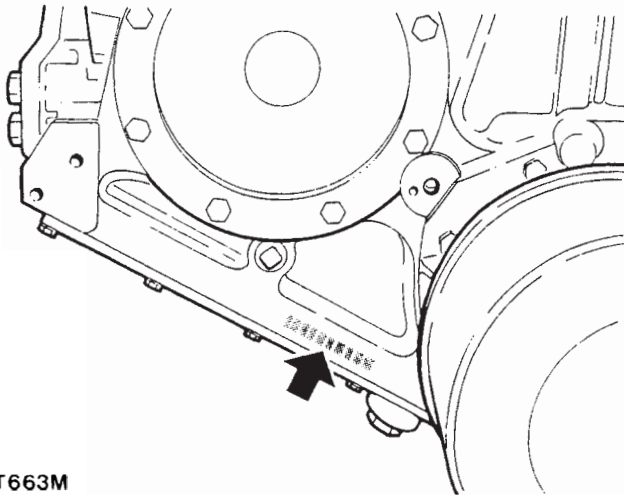
The number is also stamped on the right-hand side of the chassis forward of the spring mounting turret. Always quote this number when writing to Land Rover Limited.

**Key to Vehicle Identification Number Plate**

- A Type approval
- B VIN (minimum of 17 digits)
- C Maximum permitted laden weight for vehicle
- D Maximum vehicle and trailer weight
- E Maximum road weight — front axle
- F Maximum road weight — rear axle



**ENGINE SERIAL NUMBER —**



ST663M

**FRONT AXLE**

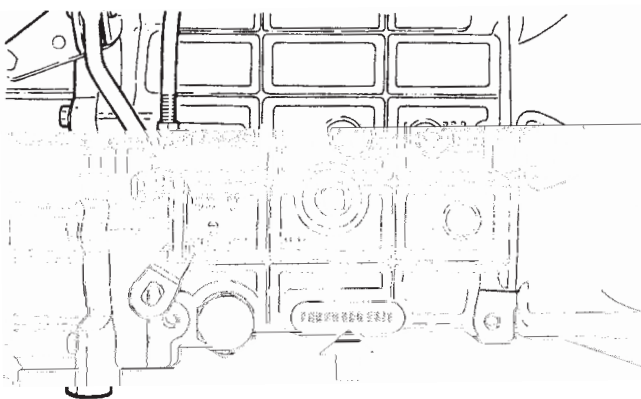
Stamped on top of the left-hand axle tube.

**REAR AXLE**

Stamped on rear of left-hand axle tube.

**MAIN GEARBOX LT77 — 4 CYLINDER VEHICLES**

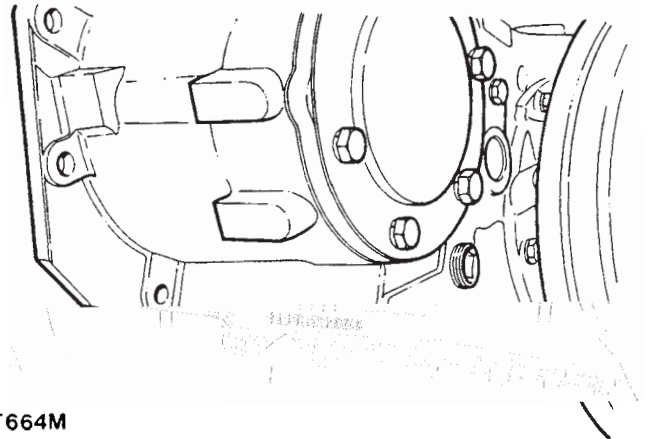
Stamped on a pad on the right-hand side of the gearbox immediately below the oil filler level plug.



ST665M

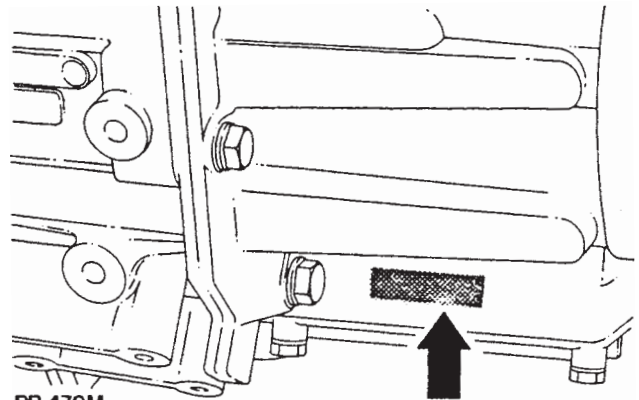
**TRANSFER GEARBOX LT230R — 4 CYLINDER VEHICLES**

Stamped on the casing on the left-hand side of the gearbox below the mainshaft rear bearing housing adjacent to the bottom cover.



ST664M

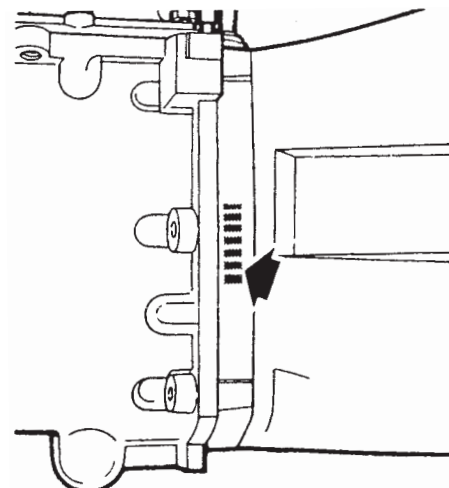
**TRANSFER GEARBOX LT230T — 4 CYLINDER AND V8 VEHICLES FROM SERIAL NUMBER SUFFIX 'B' ONWARD**



RR 470M

**MAIN GEARBOX LT85 FIVE SPEED — V8 VEHICLES**

Stamped on the right-hand side of the front bearing plate.



ST1546M