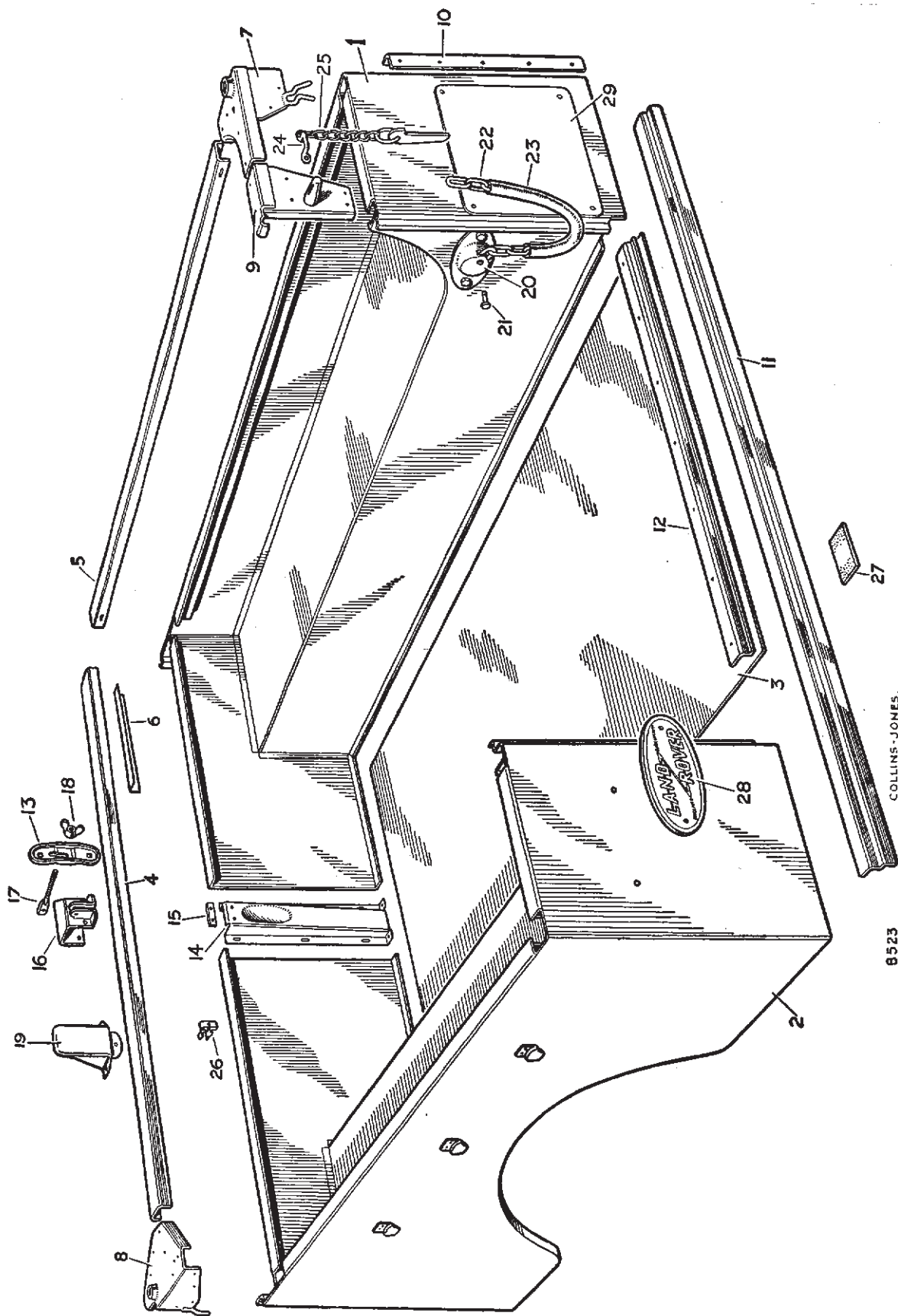
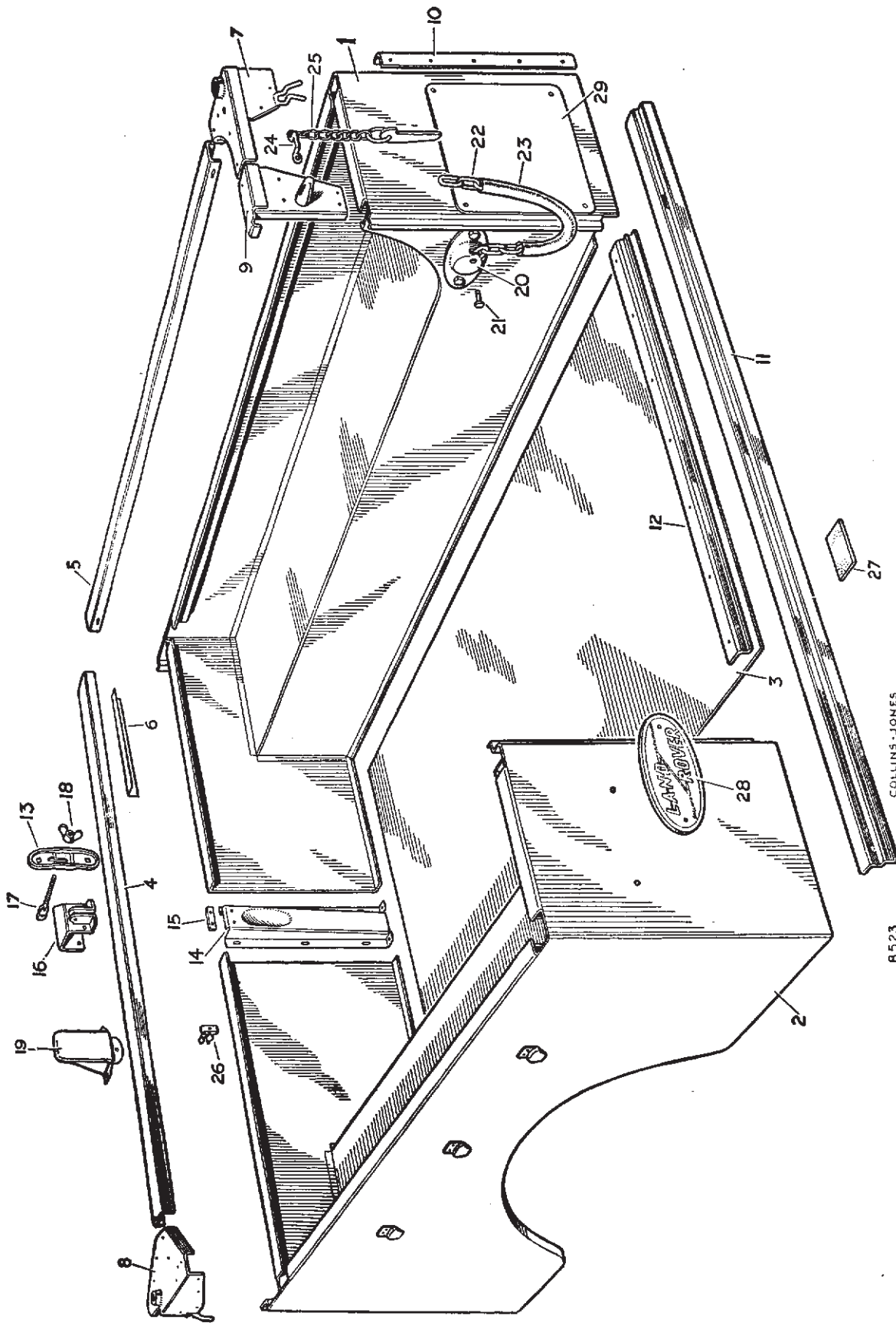


BODY, CAPPINGS AND SOCKETS. 86 & 88



COLLINS-JONES.
8523

BODY, CAPPINGS AND SOCKETS. 86 & 88



COLLINS-JONES

8523

BODY, CAPPINGS AND SOCKETS. 86 & 88

PLATE REF.	1	2	3	4	DESCRIPTION	Qty.	Part No.	REMARKS
19					Bracket, spare wheel tyre rest	2	303859	
					Bolt ($\frac{1}{4}$ " x $\frac{5}{8}$ " long)	6	237140	} Fixing tyre rest bracket to body
					Spring washer	6	3074	
					Nut ($\frac{1}{4}$ "	6	2823	
20					Bracket for tailboard chain....	2	302825	
					Bolt ($\frac{1}{4}$ " x $\frac{5}{8}$ " long)	4	237140	} Fixing bracket to body
					Spring washer	4	3074	
					Nut ($\frac{1}{4}$ "	4	2823	
21					Pin	2	302828	} Fixing tailboard chain to bracket
					Split pin	2	3958	
22					Chain for tailboard	2	302824	
23					Sleeve for chain	2	301109	
24					Staple for hood strap	2	300924	
25					Key and chain for tailboard	2	300674	
					Screw (2 B.A. x $\frac{3}{4}$ " long)	4	77887	} Fixing chain and staples to body
					Spring washer	4	3073	
					Nut (2 B.A.)	4	2247	
26					Clip for starting handle and jack handle	5	05555	
					Pop rivet fixing clips	5	300919	
27					Rubber buffer, floor to chassis	6	302833	
					Bifurcated rivet fixing buffer	12	73979	
28					"Land-Rover" nameplate, $7\frac{3}{16}$ " overall	1	302361	
29					Registration plate	1	239772	
					Pop rivet fixing plates	6	300919	
					Bolt ($\frac{5}{16}$ " x $\frac{7}{8}$ " long)	12	237161	} Fixing body to chassis
					Captive bolt	1	304118	
					Spring washer	10	3075	
					Shim washer	As required	3830	
					Nut ($\frac{5}{16}$ "	10	2828	
					Nut ($\frac{5}{16}$ "	4	3940	
					Shakeproof washer	8	72614	

* Asterisk indicates a new part which has not been used on any previous model.